



OPEN OFFICE

188.00 m²

1372

B.06.011
MALE WC
5.20 m²

B.06.009
KITCHENET
4.00 m²

Profile system

- Thermally insulated sliding system
- Opening to the left and/or right as required
- Types of opening: 2 or 3 tracks
- Steel reinforcement possible in the middle joint for high wind loads
- Installation depth: 2 tracks 170 mm, 3 tracks 260 mm
- Narrow face widths:
 - Outer frame 60 mm, completely coverable
 - Bottom track 80 mm, fully recessed
 - Panel frame 4.5 mm, of which 21 mm is visible
 - Center joint 30 mm

Tests

- Air permeability certificated DIN EN 1027:2016-09/DIN EN 12208-2000-06 Class 4
- Driving rain resistance certificated DIN EN 1027:2016-09/DIN EN 12208-2000-06 Class 9A
- Wind load certificated DIN EN 1027:2016-09/DIN EN 12208-2000-06 Class C3/B5
- Burglar resistance up to resistance class RC2

Fittings

- All fittings are concealed in the profiles
- Low-maintenance, non-rusting and mishandling-proof fittings
- Catch function when closing the sliding panel
- Can be locked from inside and/or outside

Running assembly

- Ball-bearing stainless steel rollers and stainless steel rails
- 800 kg/panel (maximum panel weight)
- U_w from 0,8 W/m²K depending on size and glazing

Glazing

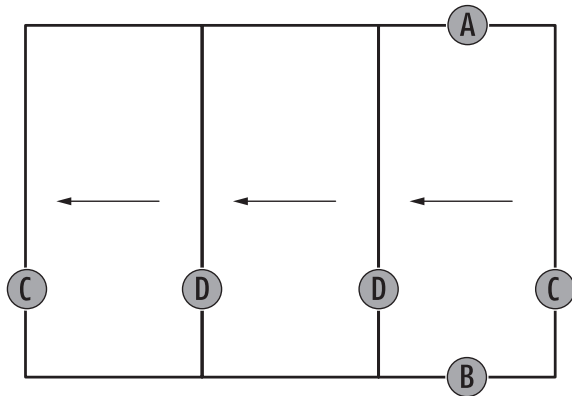
- Glass thicknesses 32 to 34 mm



tested SUNFLEX quality

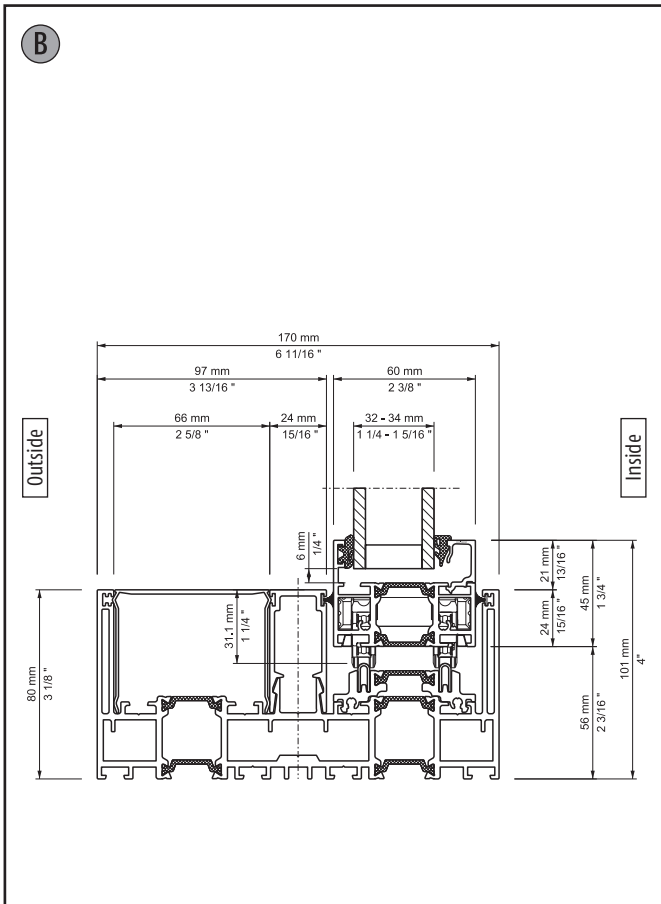


Test Report No. 40-13/23, No. 40-14/23 and No. 45-2/24

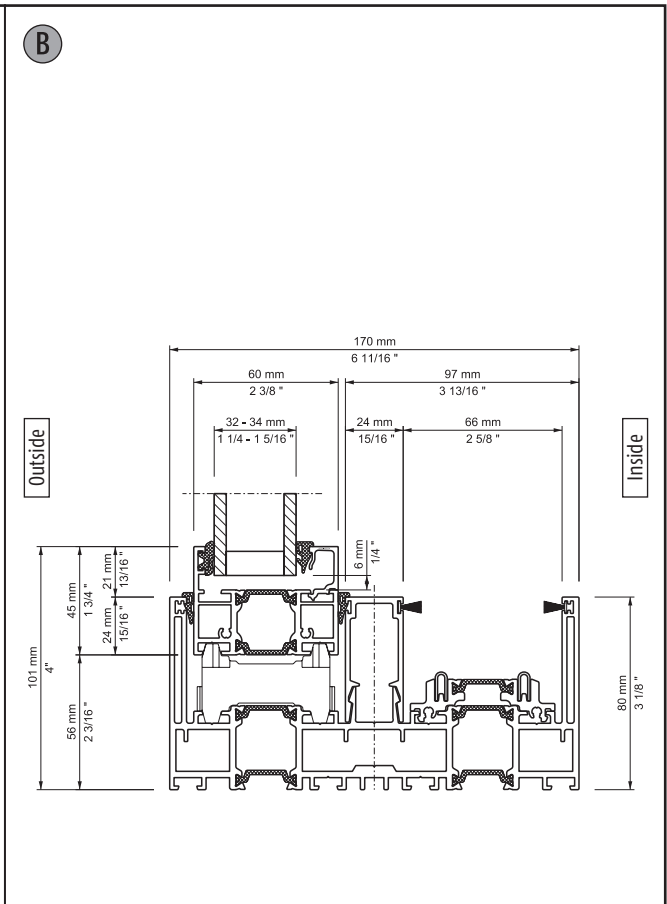


Details at uneven panel partitioning in one direction

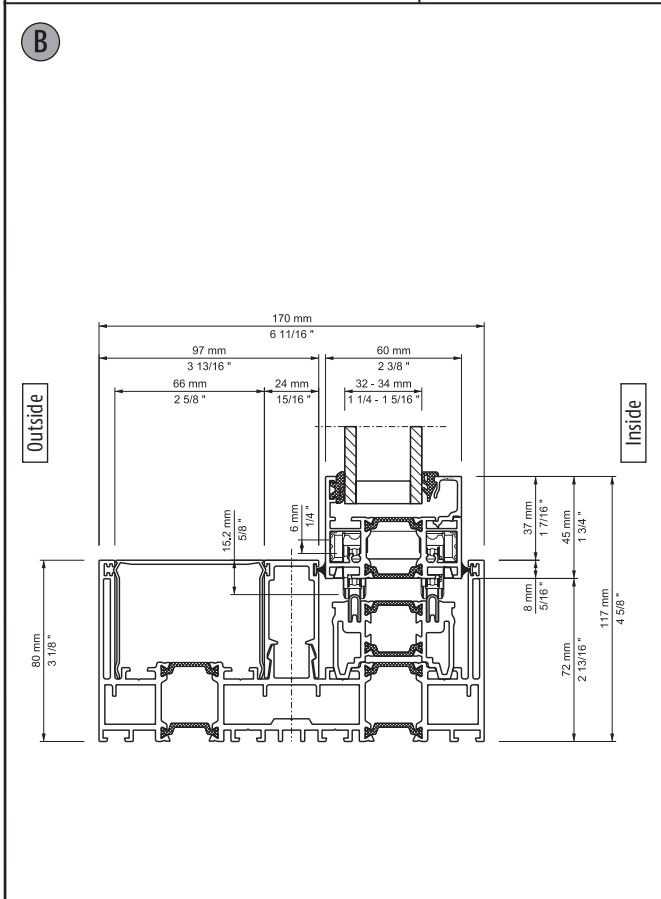
Ref.	Section	Description	Page
B	SF60-001a	Vertical section, bottom track / 2 tracks, low panel depth	4
B	SF60-001b	Vertical section, bottom track, fix panel / 2 tracks, low panel depth	4
B	SF60-001c	Vertical section, bottom track / 2 tracks	4
B	SF60-001d	Vertical section, bottom track, fix panel / 2 tracks, high panel depth	4
B	SF60-002a	Vertical section, bottom track / 3 tracks, low panel depth, high panel depth	5
B	SF60-002b	Vertical section, bottom track, fix panel / 3 tracks, low panel depth	5
B	SF60-002c	Vertical section, bottom track / 3 tracks, high panel depth	5
B	SF60-002d	Vertical section, bottom track, fix panel / 3 tracks, high panel depth	5
A	SF60-003a	Vertical section, top track / 2 tracks	5
A	SF60-003b	Vertical section, top track, fix panel / 2 tracks	6
A	SF60-003c	Vertical section, top track, coupling / 2 tracks	6
A	SF60-003d	Vertical section, top track, fix panel and coupling / 2 tracks	6
A	SF60-004a	Vertical section, top track / 3 tracks	7
A	SF60-004b	Vertical section, top track, fix panel / 3 tracks	7
A	SF60-004c	Vertical section, top track, coupling / 3 tracks	7
A	SF60-004d	Vertical section, top track, fix panel and coupling / 3 tracks	7
C	SF60-101	Horizontal section, lateral wall connection operation panel / 2 tracks	8
C	SF60-102	Horizontal section, lateral wall connection operation panel / 3 tracks	8
D	SF60-103a	Horizontal section, panel panel	8
C	SF60-104	Horizontal section, lateral wall connection fix panel / 3 tracks	8
C	SF60-105	Horizontal section, lateral wall connection fix panel / 2 tracks	9
--	SF60-106a	Horizontal section, forend / 2 tracks	9
--	SF60-106b	Horizontal section, forend / 3 tracks	9
--	SF60-120	Horizontal section, external corner 2 tracks	9
--	SF60-121	Horizontal section, internal corner 2 tracks	10
--	SF60-122	Horizontal section, external corner 3 tracks	10
--	SF60-123	Horizontal section, internal corner 3 tracks	10



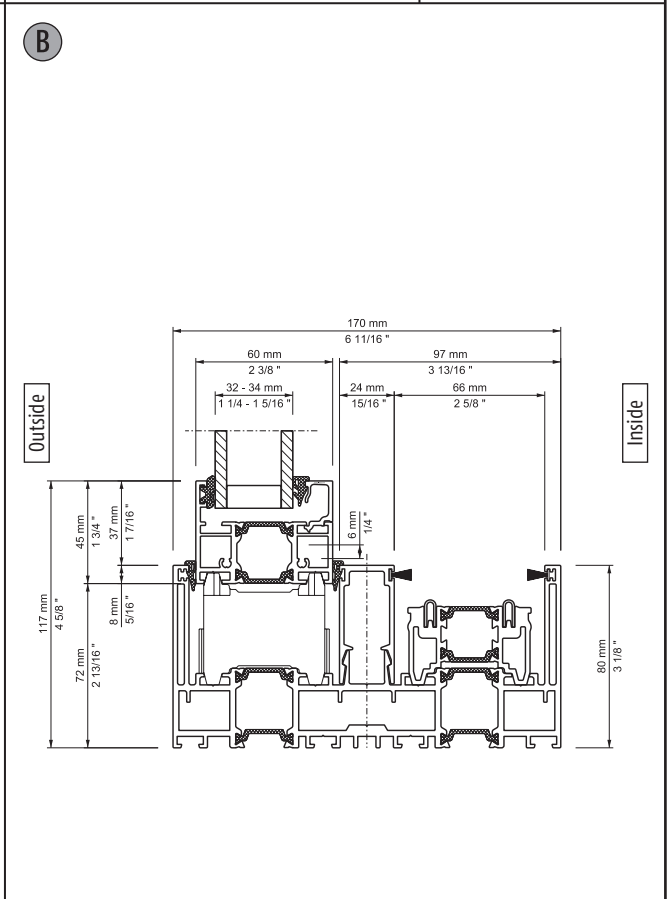
Description: Vertical section, bottom track / 2 tracks, low panel depth
System: SF60
Detail-No.: SF60-001a



Description: Vertical section, bottom track, fix panel / 2 tracks, low panel depth
System: SF60
Detail-No.: SF60-001b

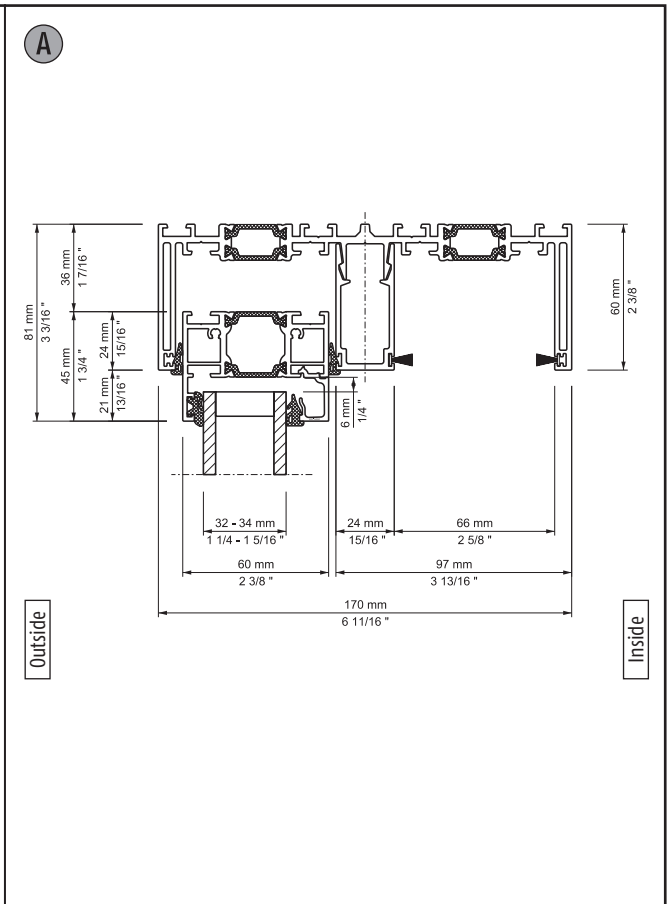
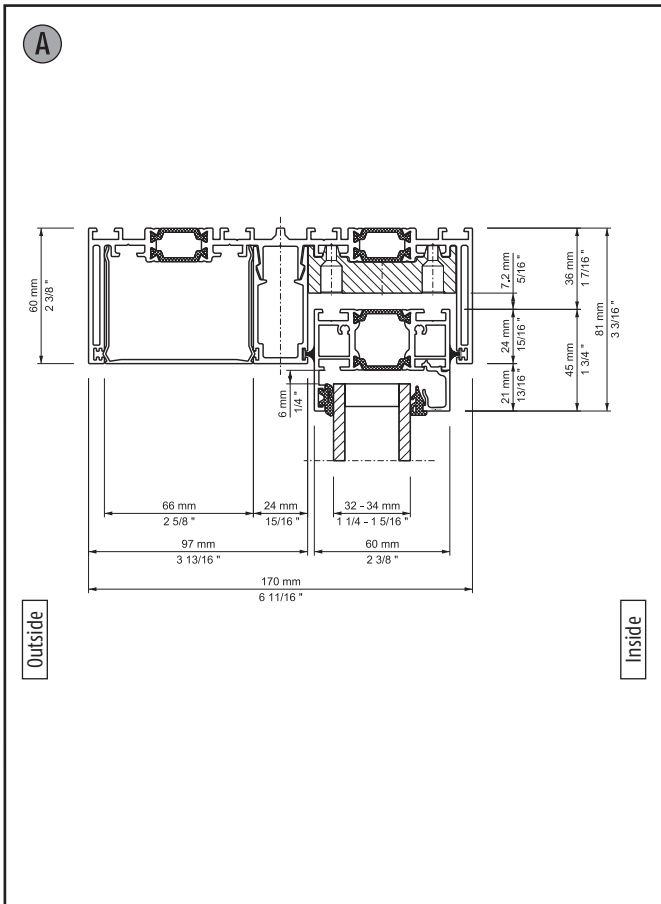


Description: Vertical section, bottom track / 2 tracks, high panel depth
System: SF60
Detail-No.: SF60-001c



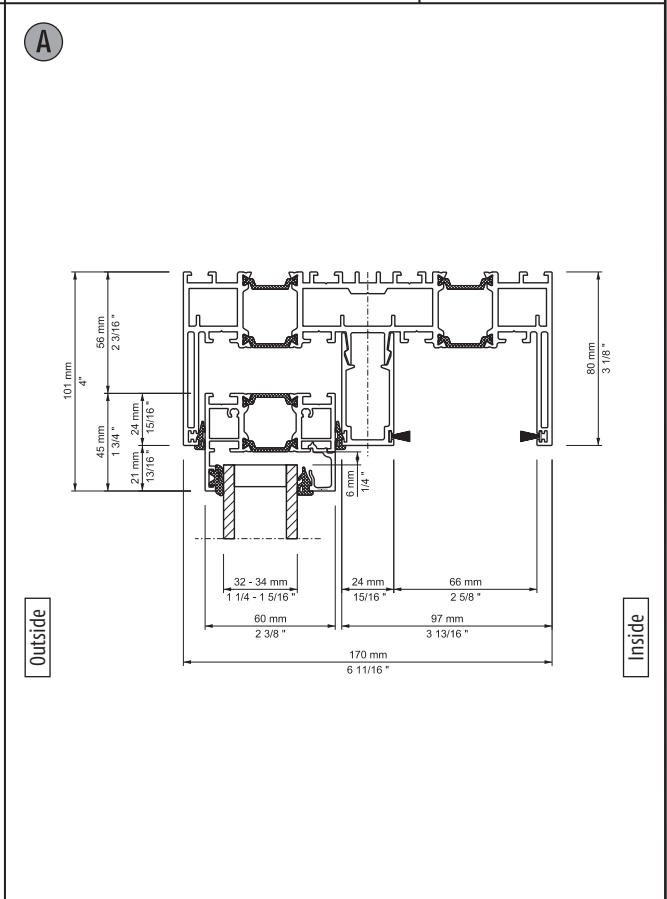
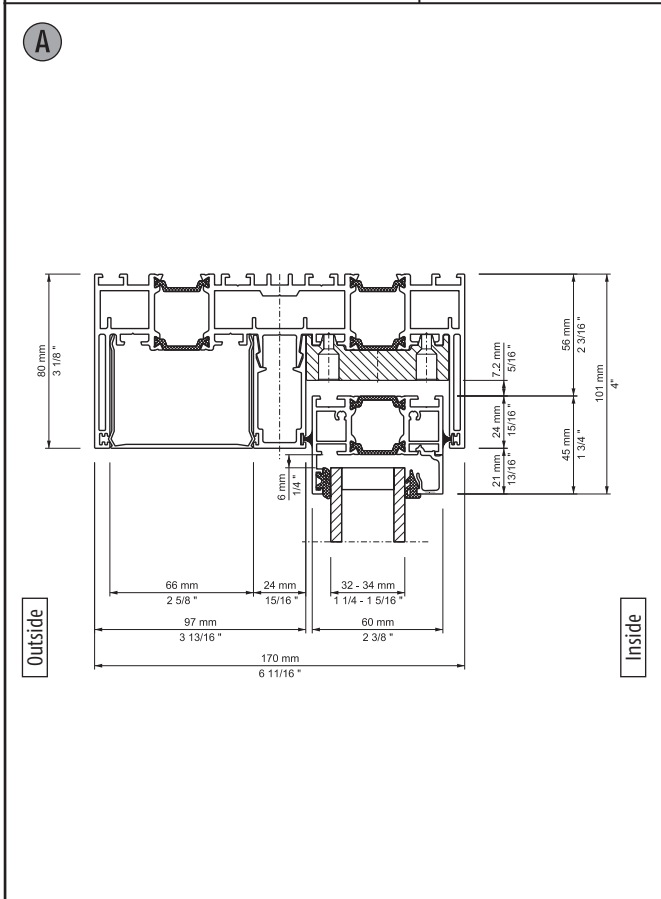
Description: Vertical section, bottom track, fix panel / 2 tracks, high panel depth
System: SF60
Detail-No.: SF60-001d

<p>B</p> <p>Outside</p> <p>Inside</p>	<p>B</p> <p>Outside</p> <p>Inside</p>
<p>Description: Vertical section, bottom track / 3 tracks, low panel depth</p> <p>System: SF60</p> <p>Detail-No.: SF60-002a</p>	<p>Description: Vertical section, bottom track, fix panel / 3 tracks, low panel depth</p> <p>System: SF60</p> <p>Detail-No.: SF60-002b</p>
<p>B</p> <p>Outside</p> <p>Inside</p>	<p>B</p> <p>Outside</p> <p>Inside</p>
<p>Description: Vertical section, bottom track / 3 tracks, high panel depth</p> <p>System: SF60</p> <p>Detail-No.: SF60-002c</p>	<p>Description: Vertical section, bottom track, fix panel / 3 tracks, low panel depth</p> <p>System: SF60</p> <p>Detail-No.: SF60-002d</p>



Description: Vertical section, top track / 2 tracks
System: SF60
Detail-No.: SF60-003a

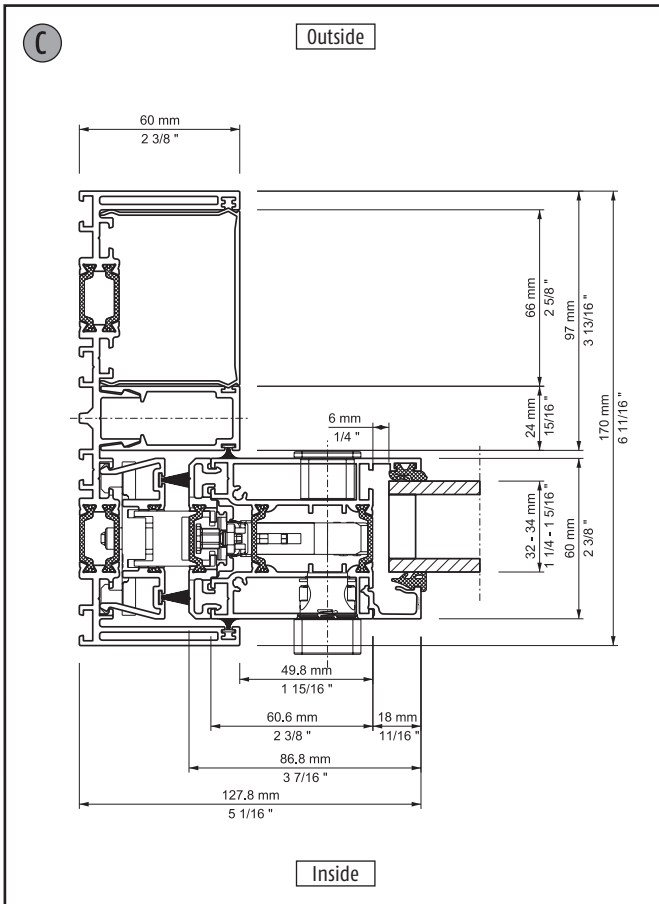
Description: Vertical section, top track, fix panel / 2 tracks
System: SF60
Detail-No.: SF60-003b



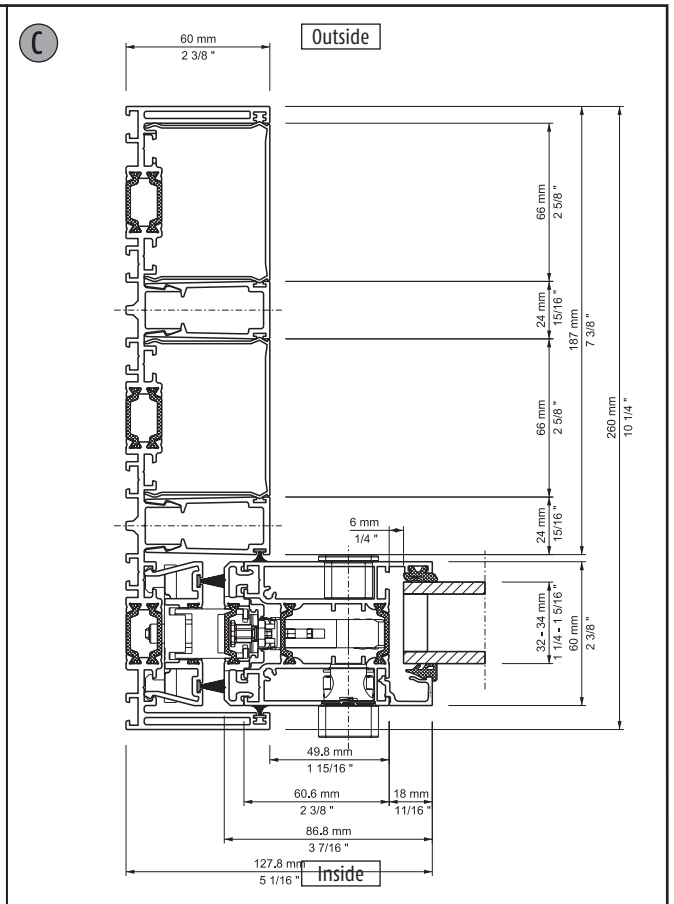
Description: Vertical section, top track, coupling / 2 tracks
System: SF60
Detail-No.: SF60-003c

Description: Vertical section, top track, fix panel and coupling / 2 track
System: SF60
Detail-No.: SF60-003d

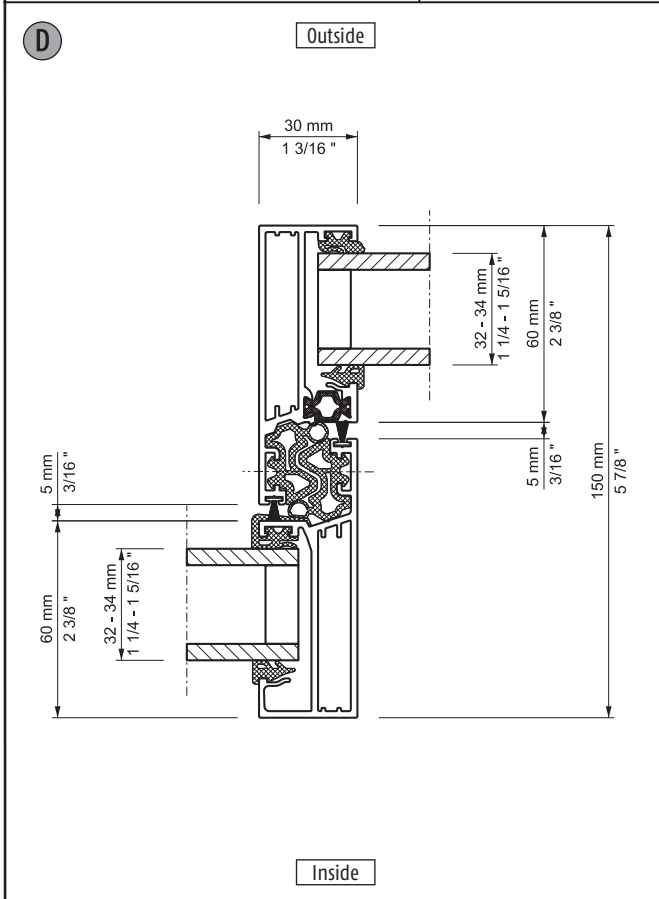
<p>A</p> <p>Outside</p>	<p>A</p> <p>Inside</p>
<p>Description: Vertical section, top track / 3 tracks</p> <p>System: SF60</p> <p>Detail-No.: SF60-004a</p>	<p>Description: Vertical section, top track, fix panel / 3 tracks</p> <p>System: SF60</p> <p>Detail-No.: SF60-004b</p>
<p>A</p> <p>Outside</p>	<p>A</p> <p>Inside</p>
<p>Description: Vertical section, top track, coupling / 3 tracks</p> <p>System: SF60</p> <p>Detail-No.: SF60-004c</p>	<p>Description: Vertical section, top track, fix panel and coupling / 3 tracks</p> <p>System: SF60</p> <p>Detail-No.: SF60-004d</p>



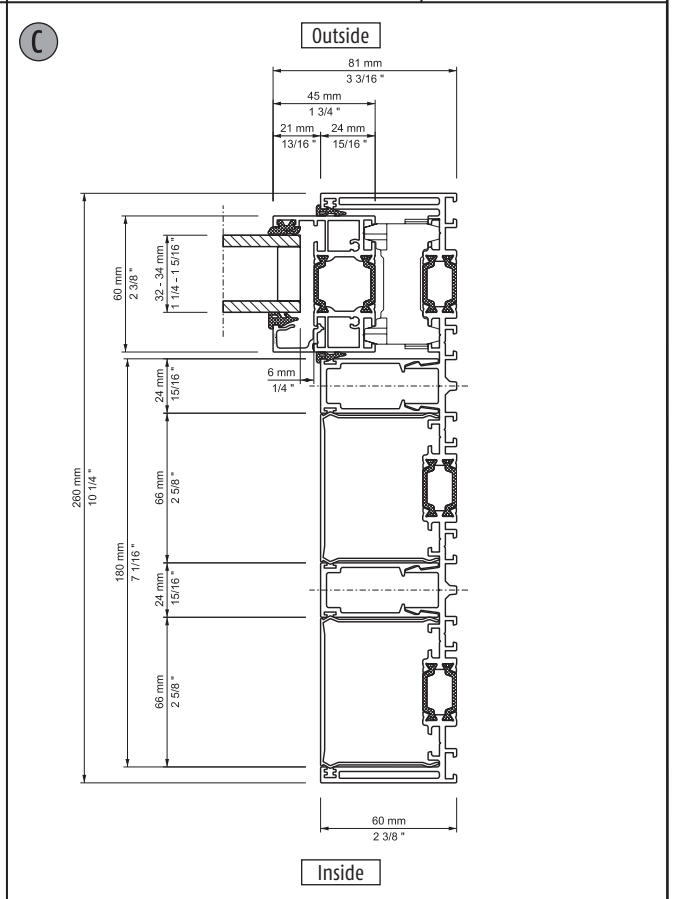
Description: Horizontal section, lateral wall connection operation panel / 2 tracks
System: SF60
Detail-No.: SF60-101



Description: Horizontal section, lateral wall connection operation panel / 3 tracks
System: SF60
Detail-No.: SF60-102

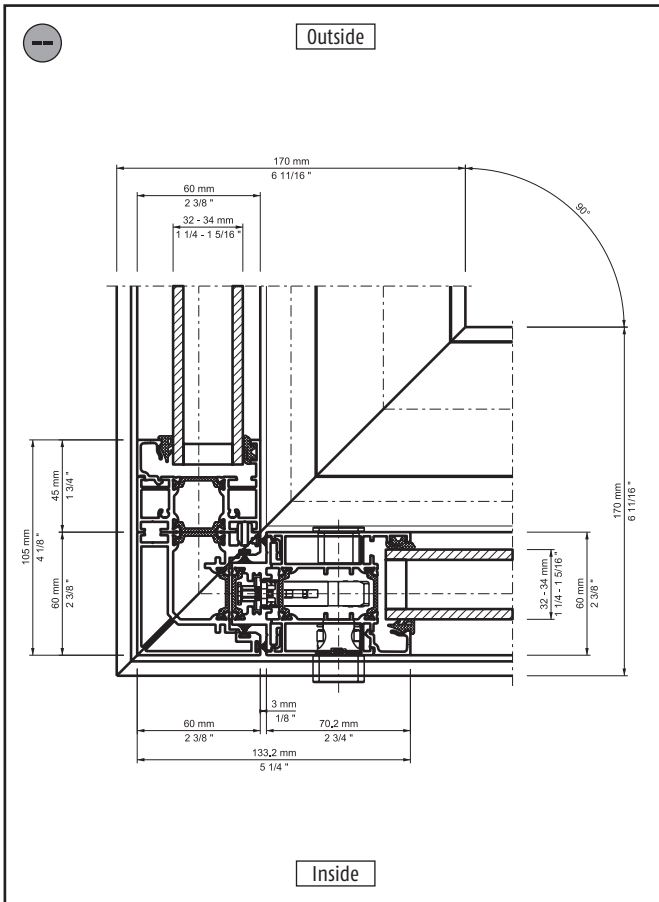


Description: Horizontal section, panel panel
System: SF60
Detail-No.: SF60-103a

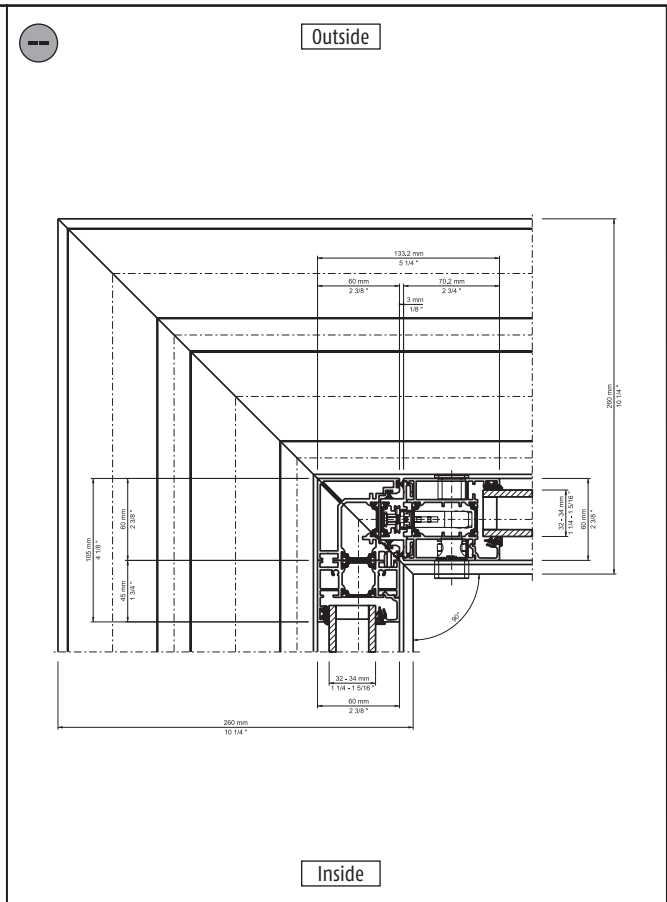


Description: Horizontal section, lateral wall connection fix panel / 3 tracks
System: SF60
Detail-No.: SF60-104

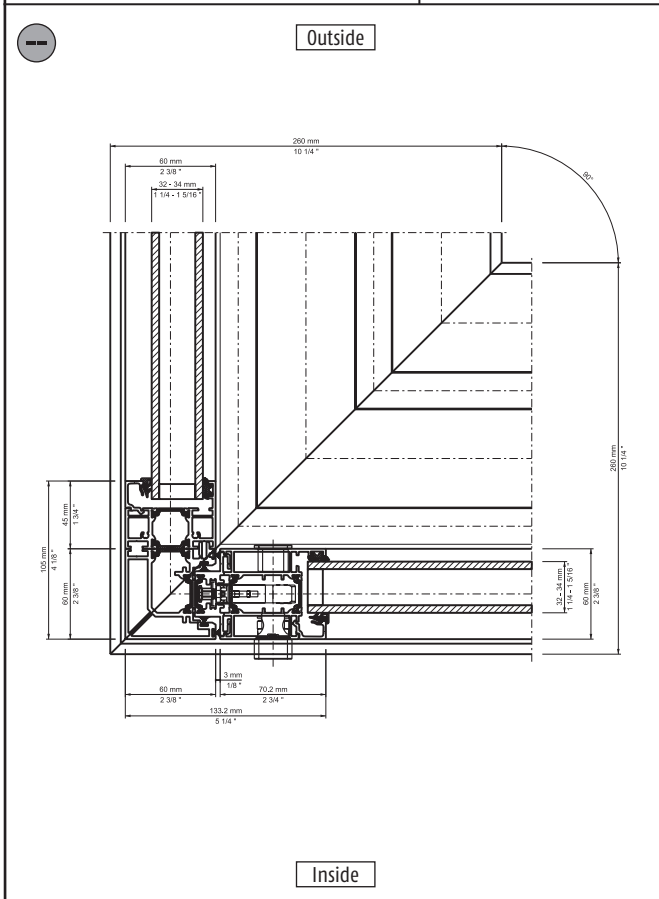
<p>Description: Horizontal section, lateral wall connection fix panel / 2 tracks</p> <p>System: SF60</p> <p>Detail-No.: SF60-105</p>	<p>Description: Horizontal section, forend / 2 tracks</p> <p>System: SF60</p> <p>Detail-No.: SF60-105</p>
<p>Description: Horizontal section, forend / 3 tracks</p> <p>System: SF60</p> <p>Detail-No.: SF60-106b</p>	<p>Description: Horizontal section, external corner 2 tracks</p> <p>System: SF60</p> <p>Detail-No.: SF60-120</p>



Description: Horizontal section, internal corner 2 tracks	System: SF60
	Detail-No.: SF60-121



Description: Horizontal section, external corner 3 tracks	System: SF60
	Detail-No.: SF60-122



Description: Horizontal section, external corner 2 tracks	System: SF60
	Detail-No.: SF60-123