



SUNFLEX UK

Technical Manual — Slim And Flush
Windows

Standard colours	
Frame & Sills	RAL 7016 Anthracite Grey in matt finish
	DB703 Charcoal Grey Metallic in textured finish
	RAL 9005 Jet Black in matt finish
Handles (All handles are made from 316 Grade stainless steel)	Satin Black
	Satin Brass
	Anthracite Grey
	Stainless steel
(Other colour matched available, price on application, minimum 10 handles)	

Maximum and Minimum Sash Sizes (mm) (See page 3 for full table)

Opening Style	Min Width	Max Width	Min Height	Max Height
Side Hung	400	800	500	1600
Top Hung	400	1700	500	1500
Fixed	300	3000*	300	3000*
Angled Fixed	As fixed, see chart on page 12 for minimum upstands			
Tilt & Turn				

*Larger may be possible, please send enquiry to info@sunflexuk.co.uk

Thermal performance

Glass thickness Options	Casement = 28mm, 32mm, 40mm Fixed Frames, Tilt & Turns = 28mm, 32mm and 45mm
-------------------------	---

Centre pane	Example of glass	Overall U-value
1.0 W/m ² k Double glazed	4mm clear toughened x 20mm Argon x 4mm clear toughened soft coat	from 1.4 W/m ² k
0.7 W/m ² k Double glazed	4mm clear toughened x 20mm Argon x 4mm clear toughened CUIN Ultra	from 1.2 W/m ² k
0.5 W/m ² k Triple glazed	4mm clear toughened x 16mm Argon x 4mm clear toughened x 16mm Argon x 4mm clear toughened soft coat	from 1.0 W/m ² k

Security	
Locking	Multipoint espagnolette locking system Double rebated outer frame Key locking handle
Accreditations	PAS 24:2022 certification Secure By Design™ BSI Kitemark (Requires P1a rated glass to adhere to Building Regulations Approved Document Q)

Weather performance

Water tightness	2400 Pa (Class AE) - BS EN 12208
Air permeability	600 Pa (Class 4) - BS EN 12207
Wind resistance	2000 Pa (Class 5) - BS EN 12210

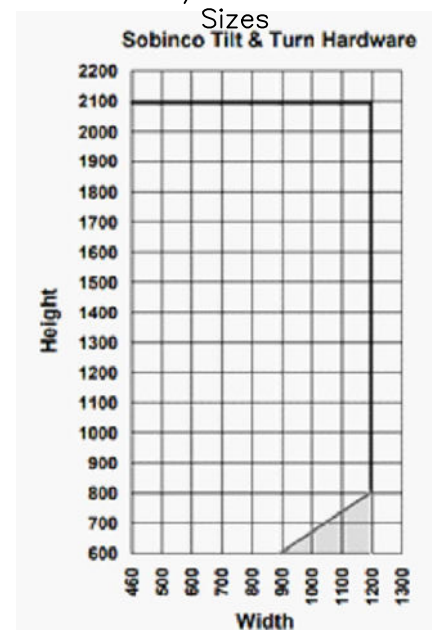
Trickle Vents	4000mm ² & 8000mm ² airflow
Sill Options (see page 13 for further details)	85mm x 25mm
	135mm x 25mm
	150mm x 25mm
	190mm x 25mm
	225mm x 25mm
	300mm x 34mm
Drainage	Casements have concealed drainage through the sill, a sill is always required. Fixed and Tilt & Turn frames are face drained.
Heritage Style (See page 14 for further details)	30mm Plant on bar.
Frameless Corner (see page 16 for further details)	Available on fixed frames, glass to glass detail for panoramic views.

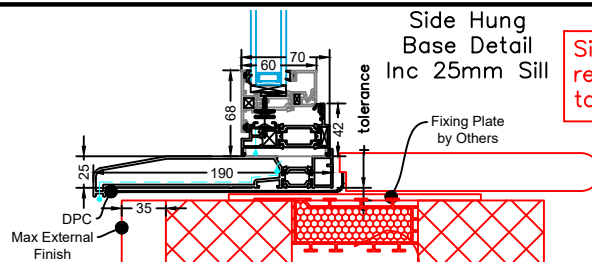
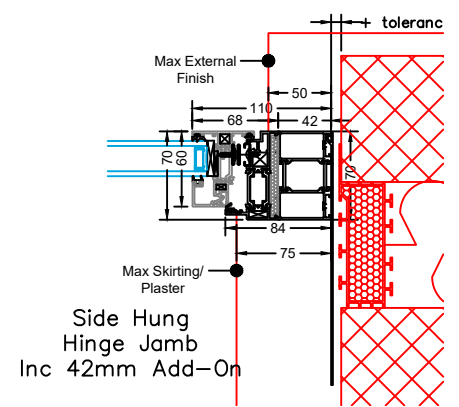
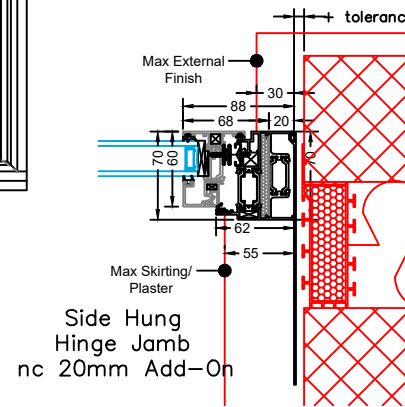
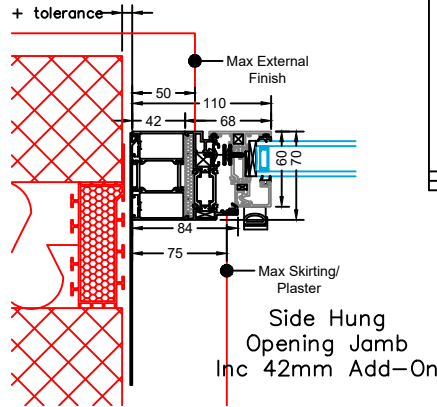
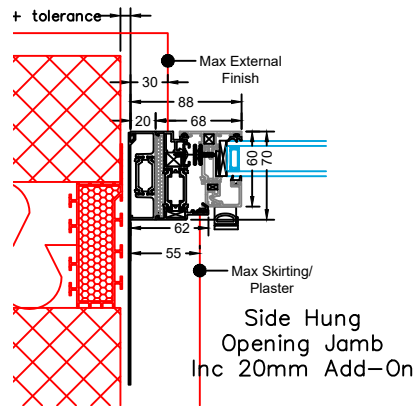
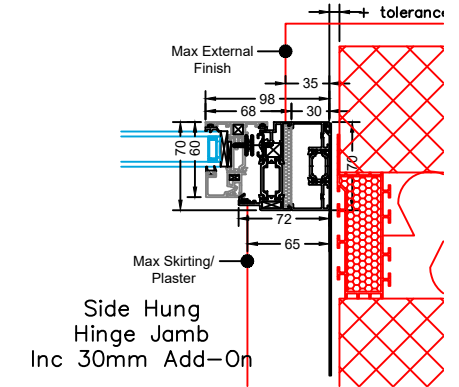
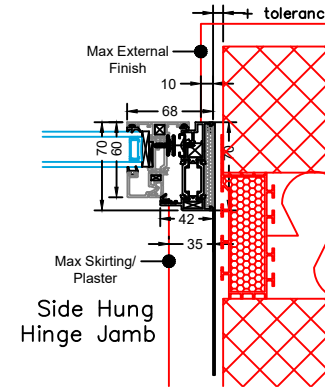
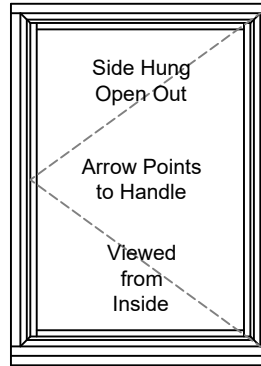
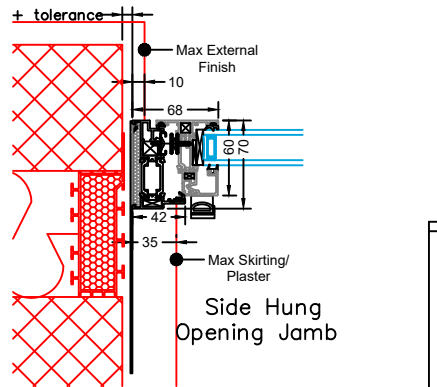
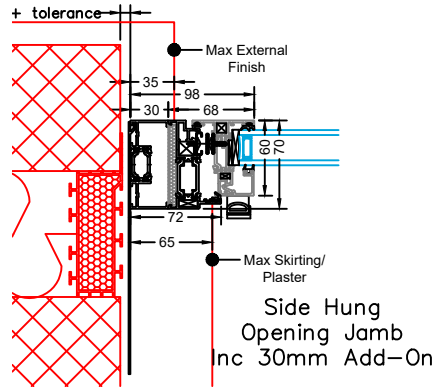
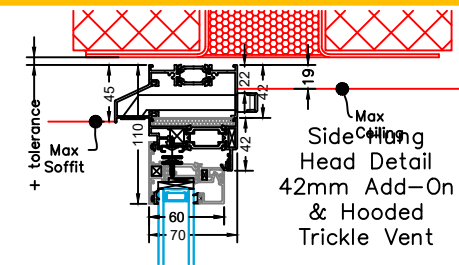
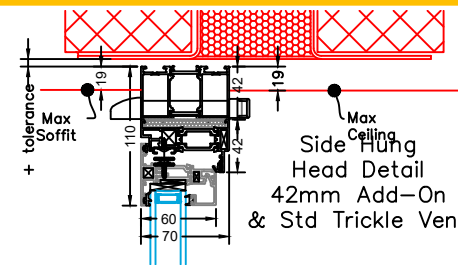
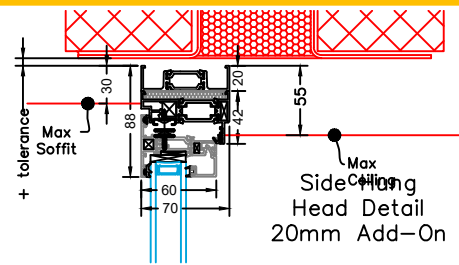
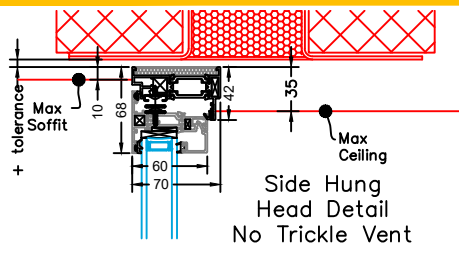
Standard or Restricted Hinge Side Hung									
Maximum & Minimum Sash Sizes (mm), with Maximum Glazing Weight (KG)									
Width Height	400	450	500	550	600	650	700	750	800
500	45	45	45	45	45	45	45	45	45
600	45	45	45	45	45	45	45	45	45
700	45	45	45	45	45	45	45	45	45
800	45	45	45	45	45	45	45	45	45
900	45	45	45	45	45	45	45	45	45
1000	45	45	45	45	45	45	45	45	45
1100	45	45	45	45	45	45	45	45	45
1200	45	45	45	45	45	45	45	45	45
1300	45	45	45	45	45	45	45	45	40
1400	45	45	45	45	45	45	45	40	40
1500	45	45	45	45	45	40	40	35	35
1600	45	45	45	45	45	40	40	30	30

Standard Or Restricted Hinge - Top Hung								
Maximum & Minimum Sash Sizes (mm), with Maximum Glazing Weight (KG)								
Width Height	422	600	800	1000	1200	1400	1600	1700
500	45	45	45	45	45	45	45	45
600	45	45	45	45	45	45	45	45
700	45	45	45	45	45	45	45	45
800	45	45	45	45	45	45	45	45
900	45	45	45	45	45	45	45	45
1000	45	45	45	45	45	40	45	40
1100	45	45	45	45	45	40	40	35
1200	45	45	45	45	45	35	40	35
1300	45	45	45	40	40	30	30	30
1400	45	45	45	40	40	30	30	NA
1500	45	45	45	35	35	30	30	NA
1600	45	45	45	30	30	NA	NA	NA

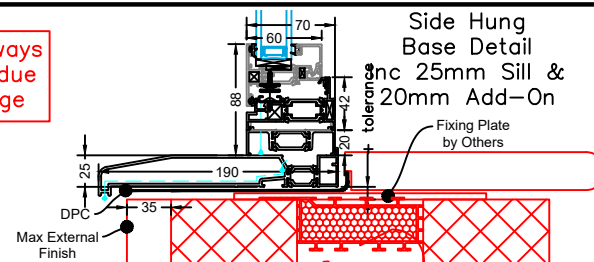
Egress Hinge Side Hung									
Minimum Manufacturing Width for 450mm Clear Opening = 595mm									
Minimum Mullion Centre Width for 450mm Clear Opening = 585mm									
Maximum & Minimum Sash Sizes (mm), with Maximum Glazing Weight (KG)									
Width Height	400	450	500	550	600	650	700	750	800
500	45	45	45	45	45	45	45	45	45
600	45	45	45	45	45	45	45	45	45
700	45	45	45	45	45	45	45	45	45
800	45	45	45	45	45	45	45	45	45
900	45	45	45	45	45	45	45	45	45
1000	45	45	45	45	45	40	45	40	40
1100	45	45	45	45	45	40	40	35	35
1200	45	45	45	45	45	35	40	35	35
1300	45	45	45	40	40	30	30	30	30
1400	45	45	45	40	40	30	30	25	25
1500	45	45	45	35	35	30	30	25	25
1600	45	45	45	30	30	25	25	20	20

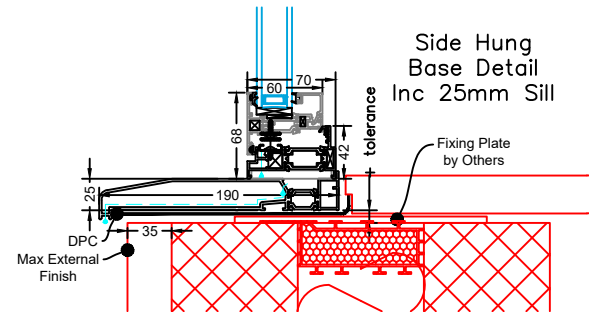
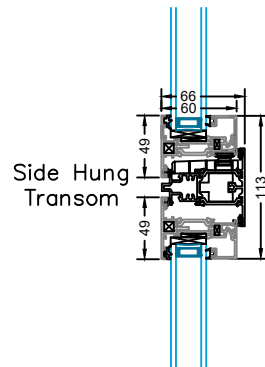
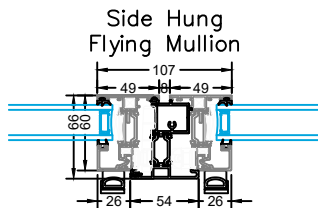
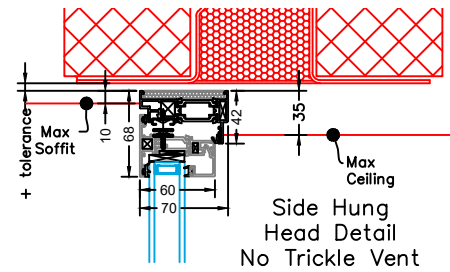
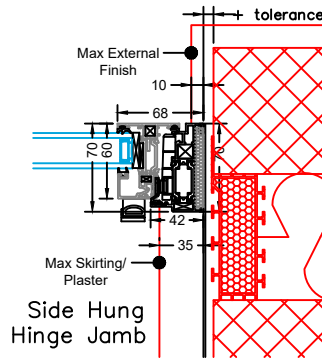
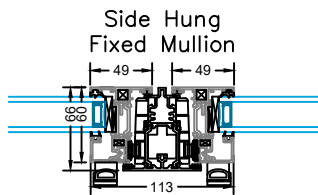
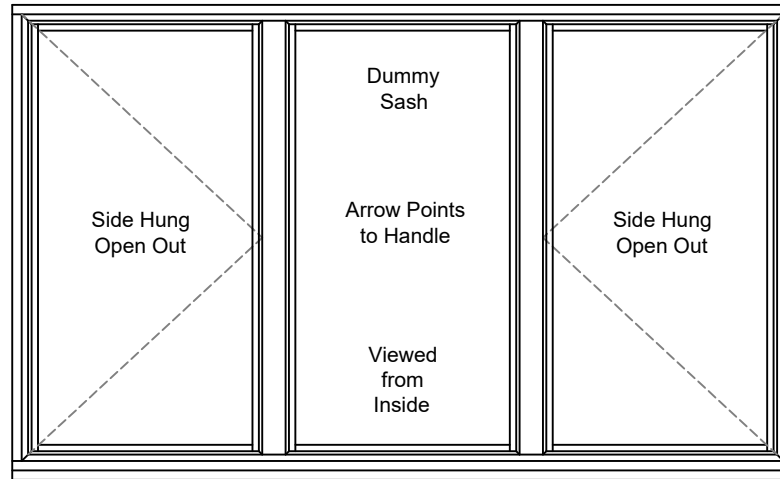
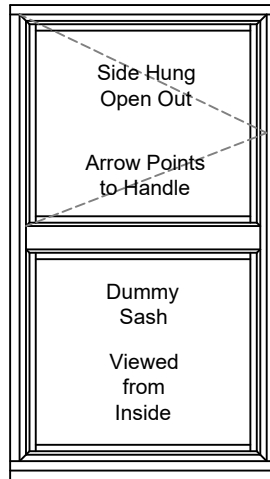
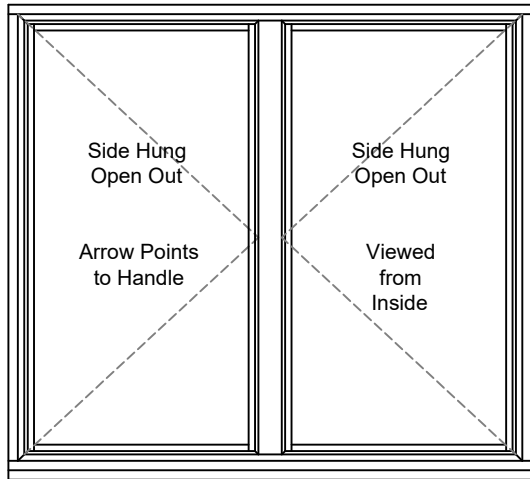
Tilt & Turn
Minimum/Maximum Sash
Sizes

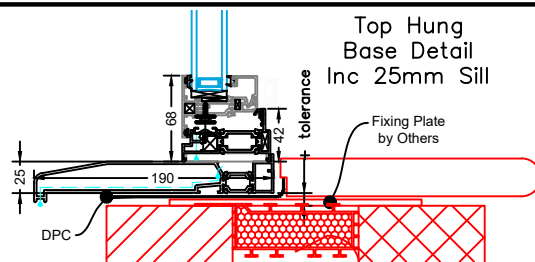
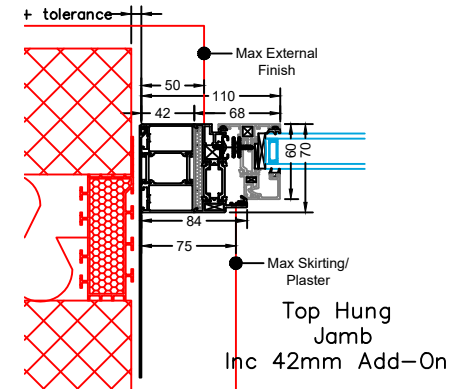
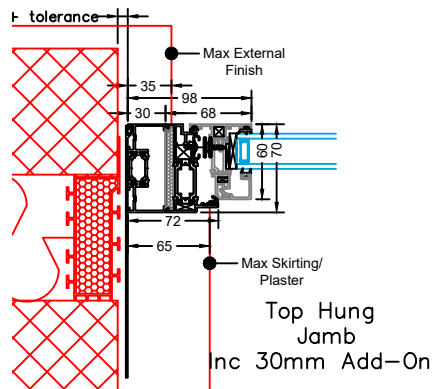
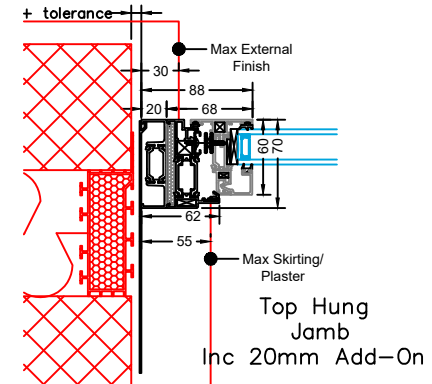
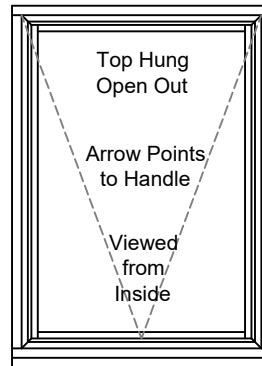
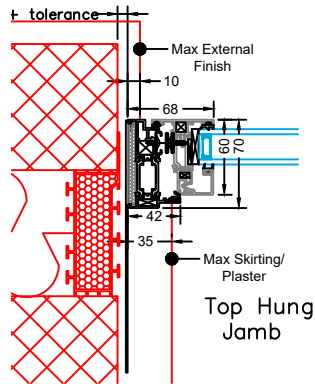
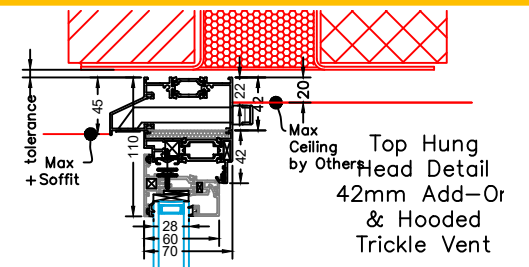
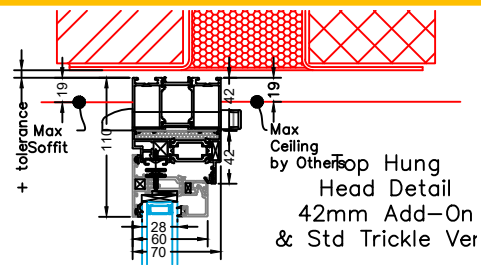
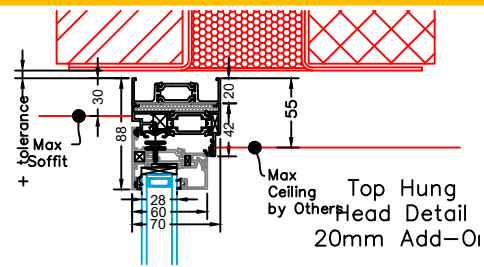
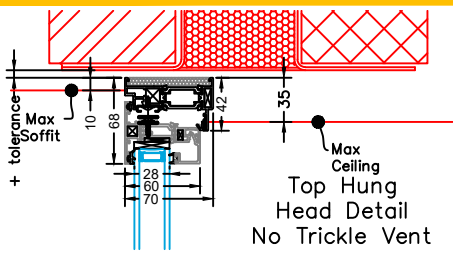




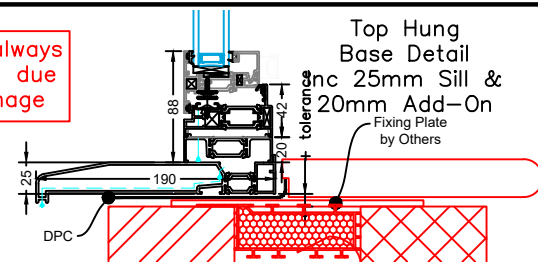
Sill is always required due to drainage

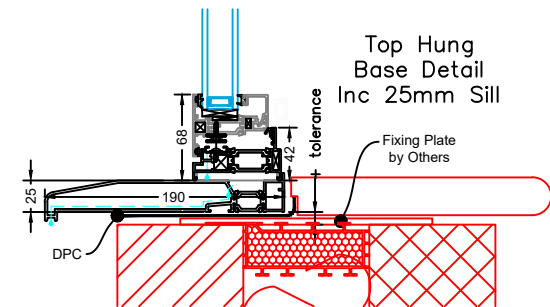
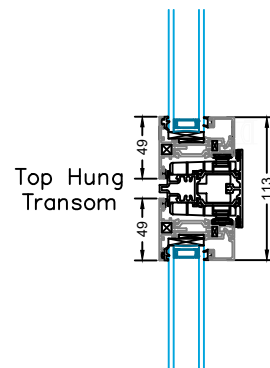
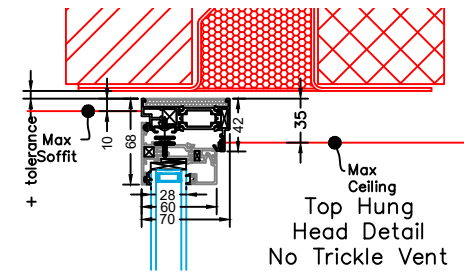
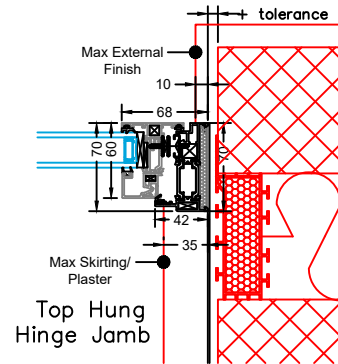
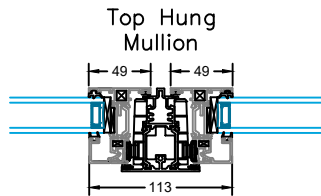
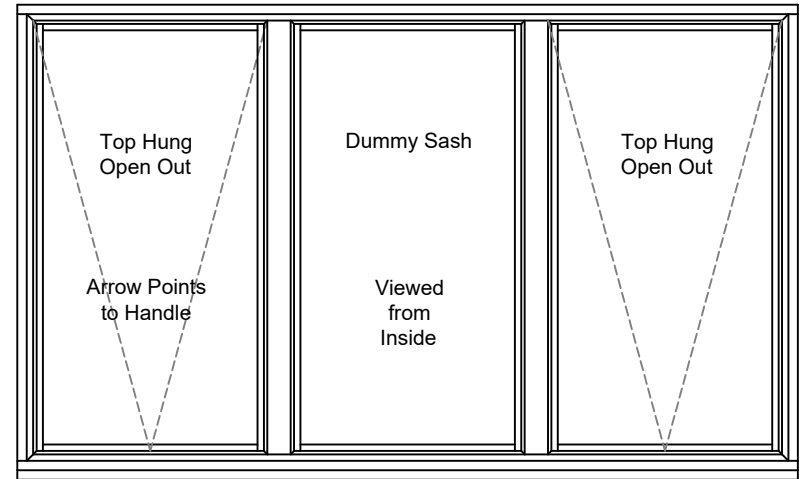
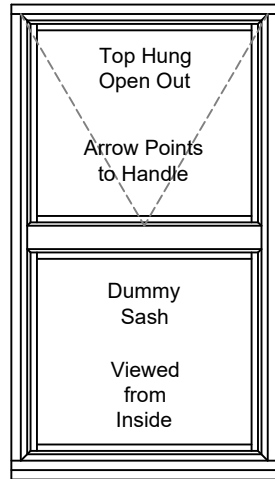
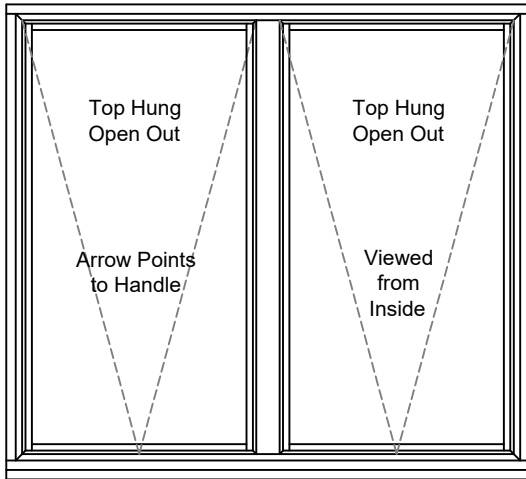


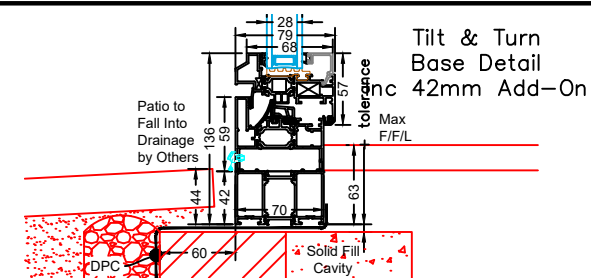
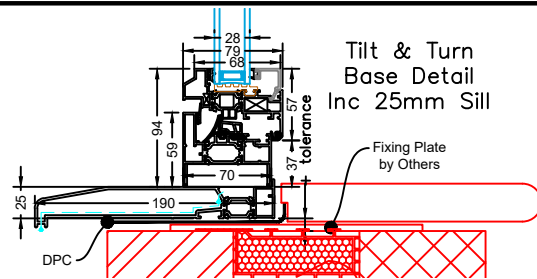
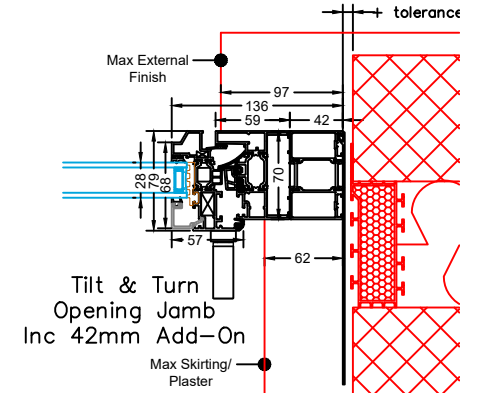
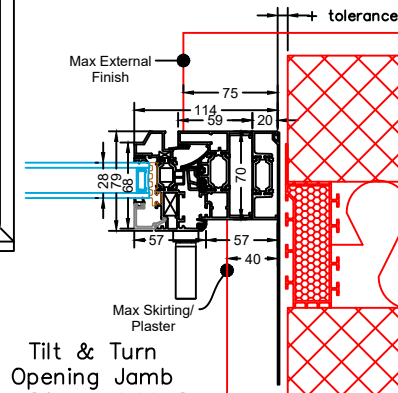
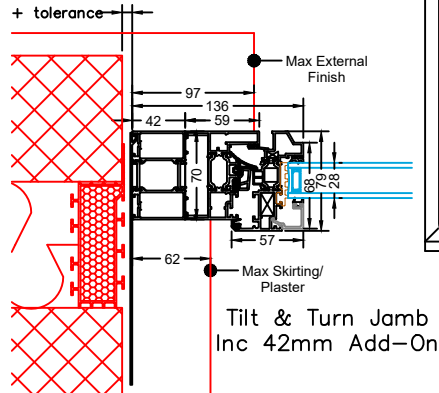
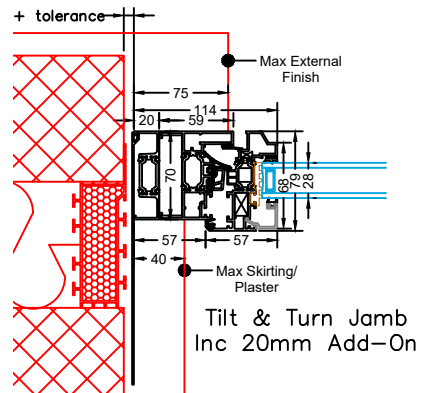
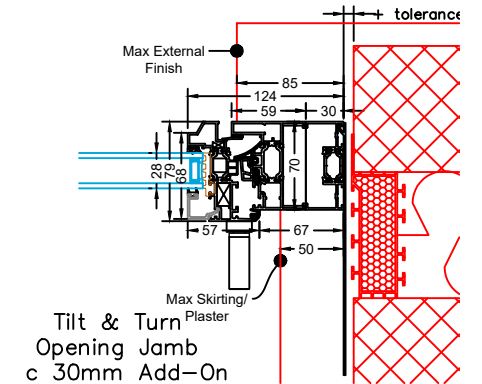
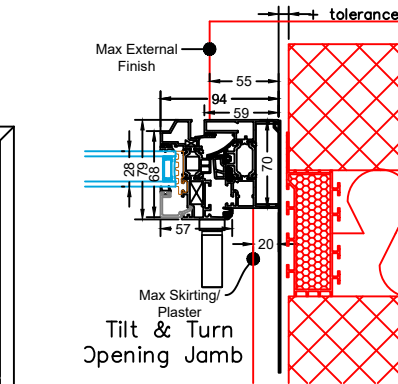
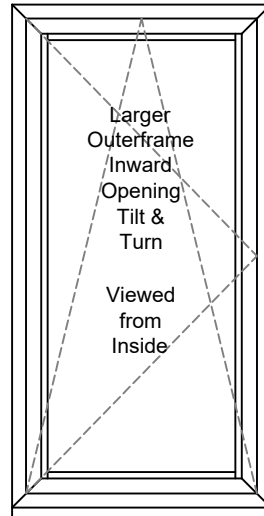
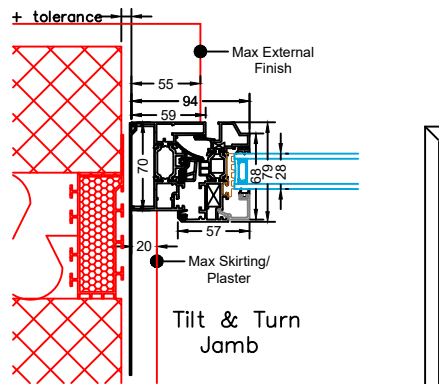
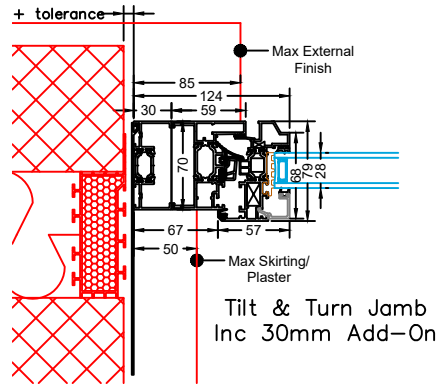
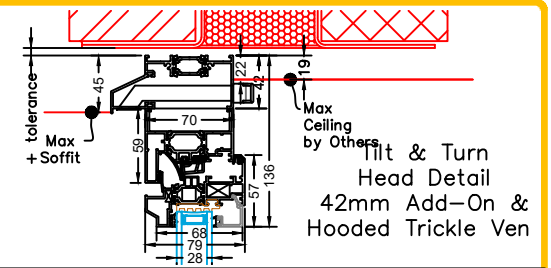
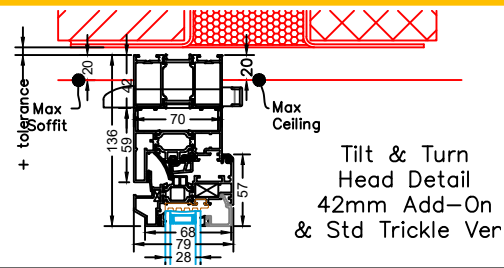
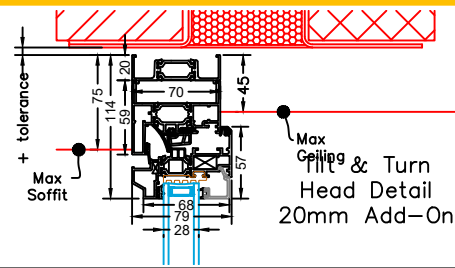
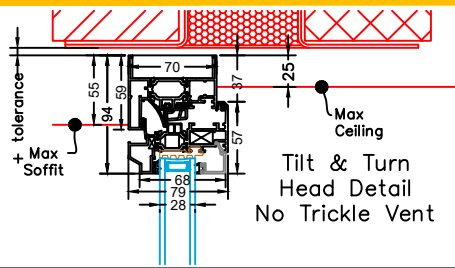


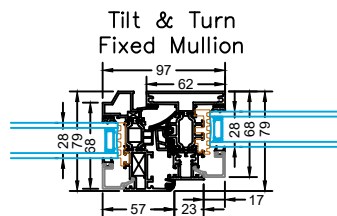
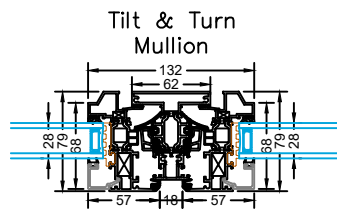
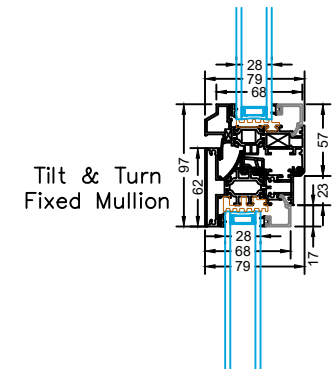
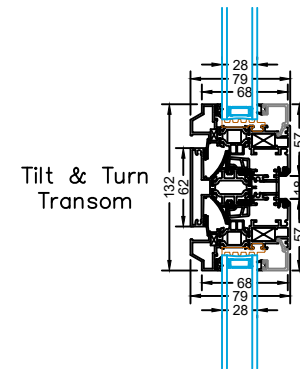
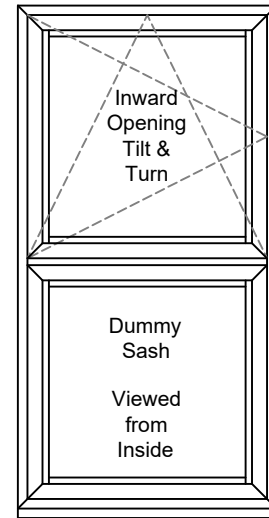
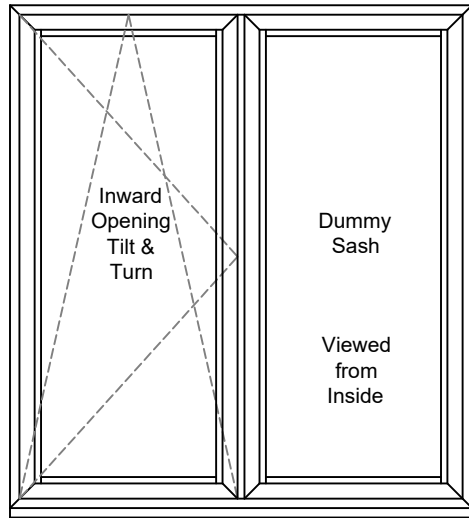


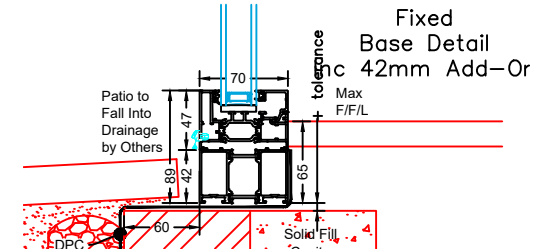
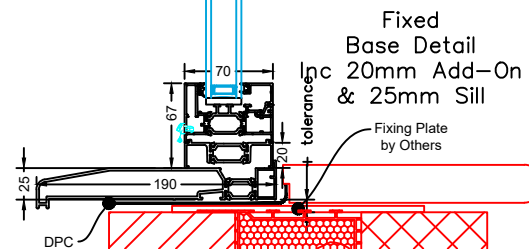
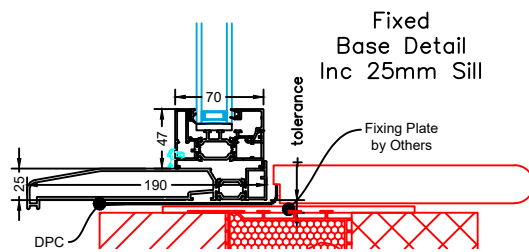
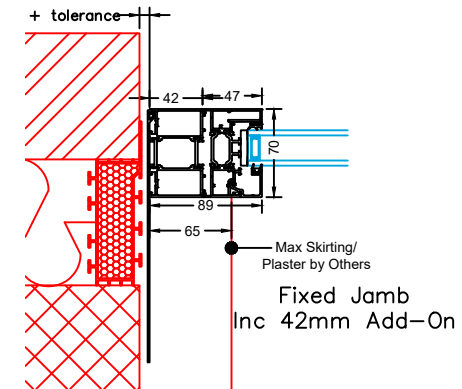
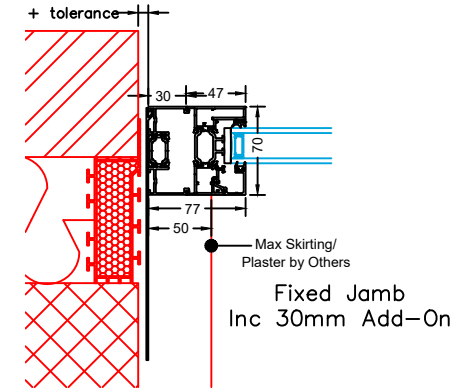
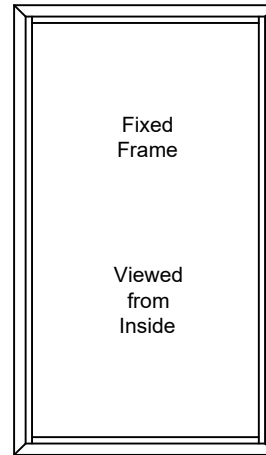
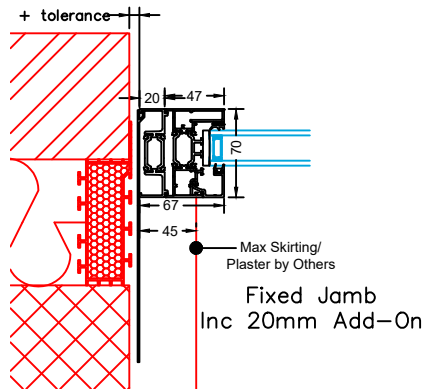
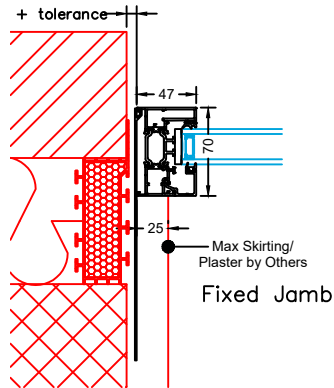
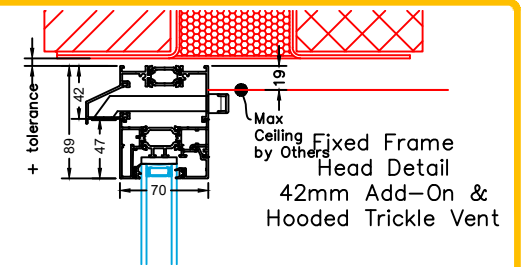
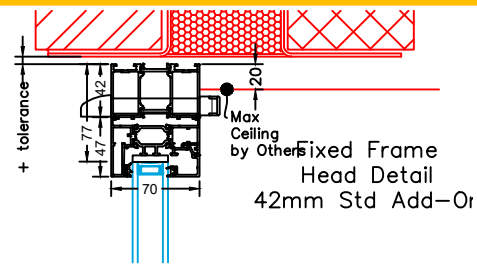
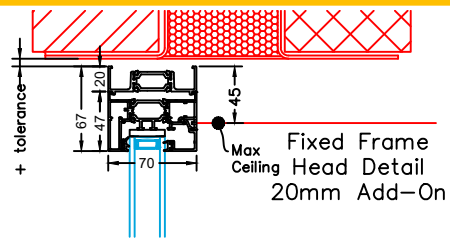
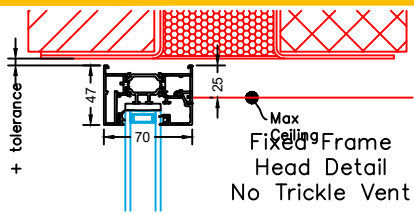
Sill is always required due to drainage

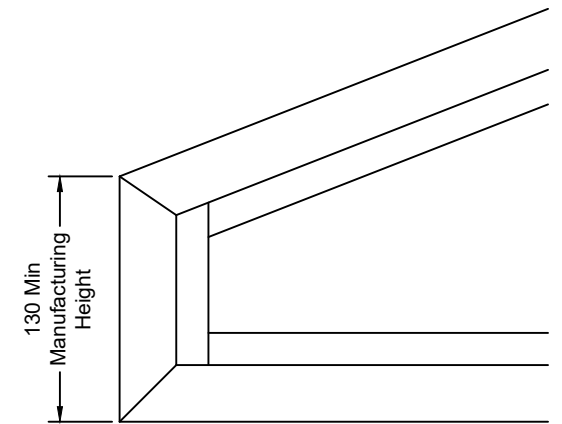
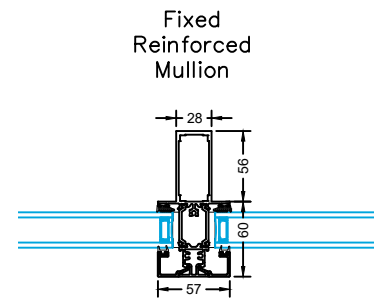
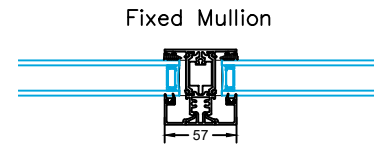
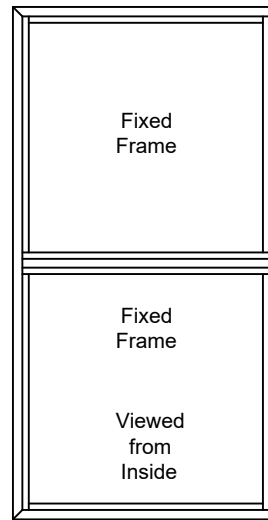
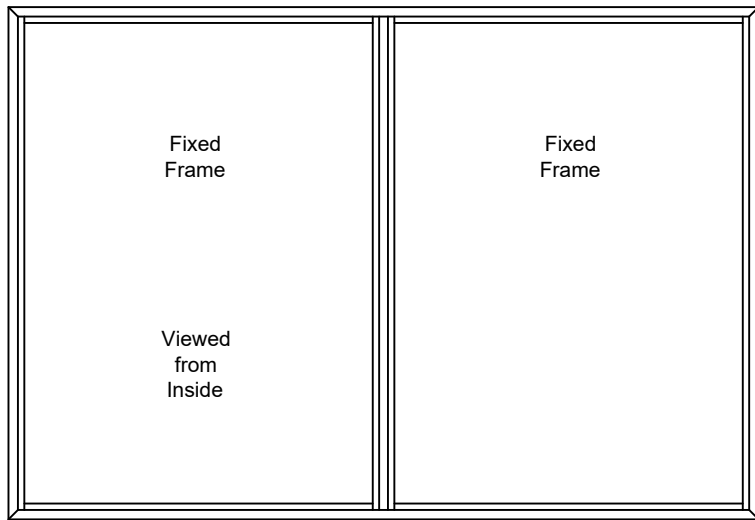




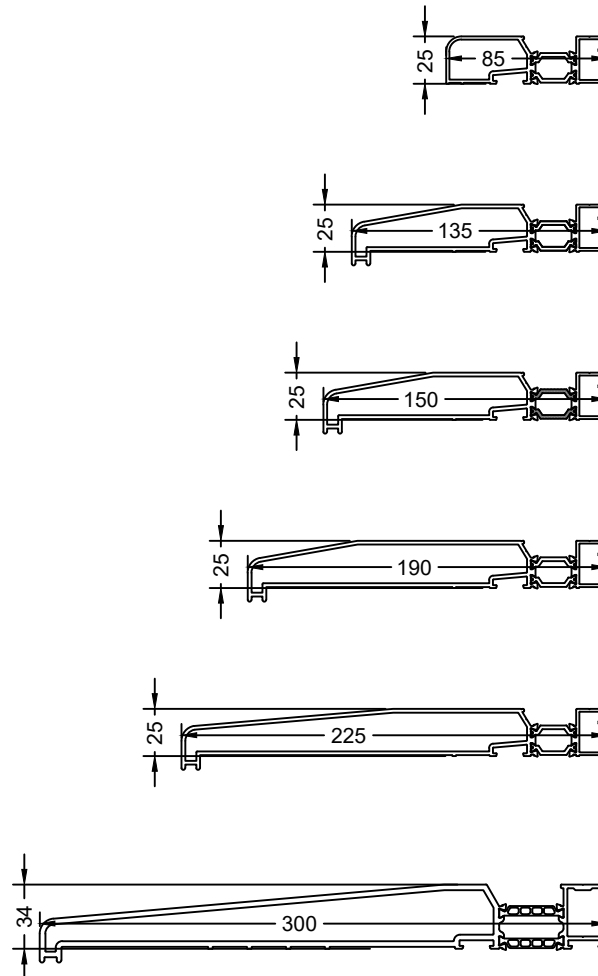


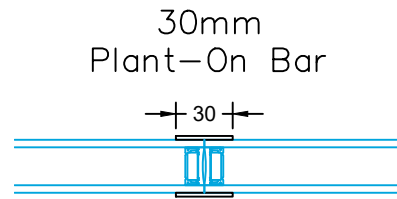
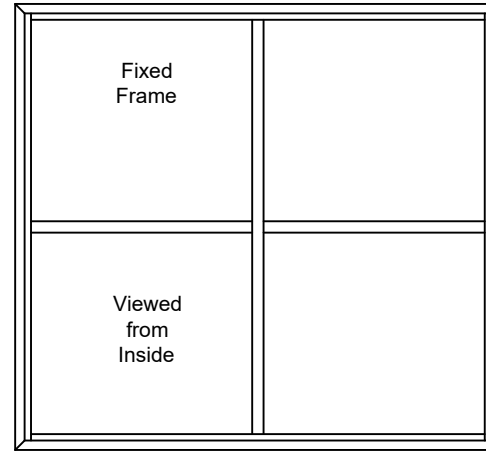
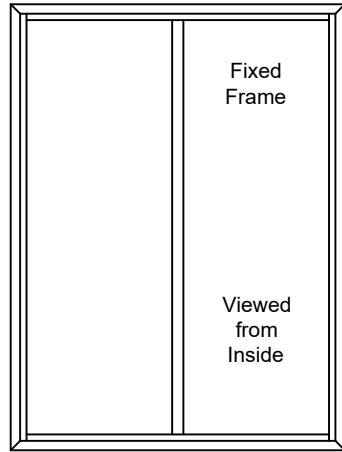




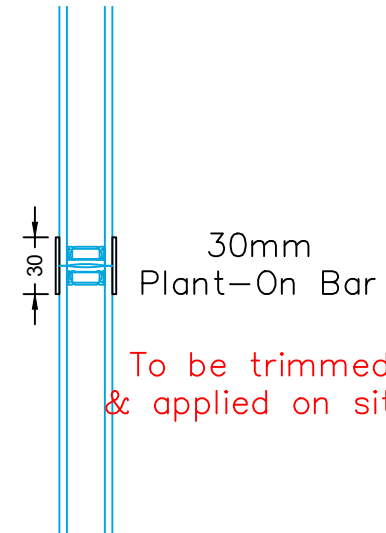


Slim And Flush Sill Options



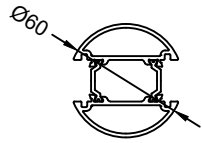


To be trimmed
& applied on site

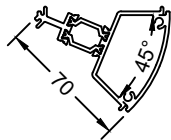


To be trimmed
& applied on site

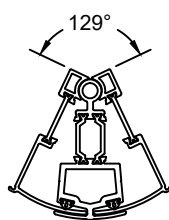
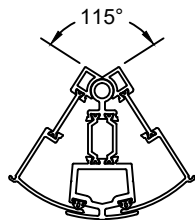
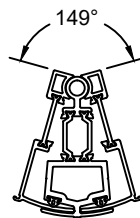
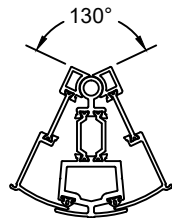
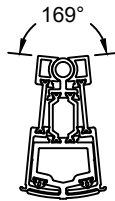
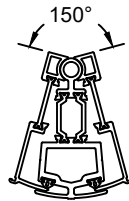
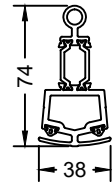
60mm Bay Pole



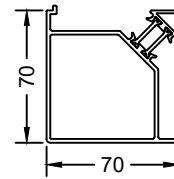
135° Bay Pole



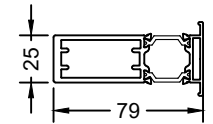
Bay Pole



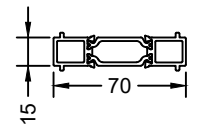
90° Corner Post



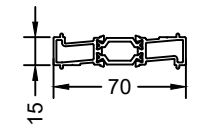
25mm Coupler

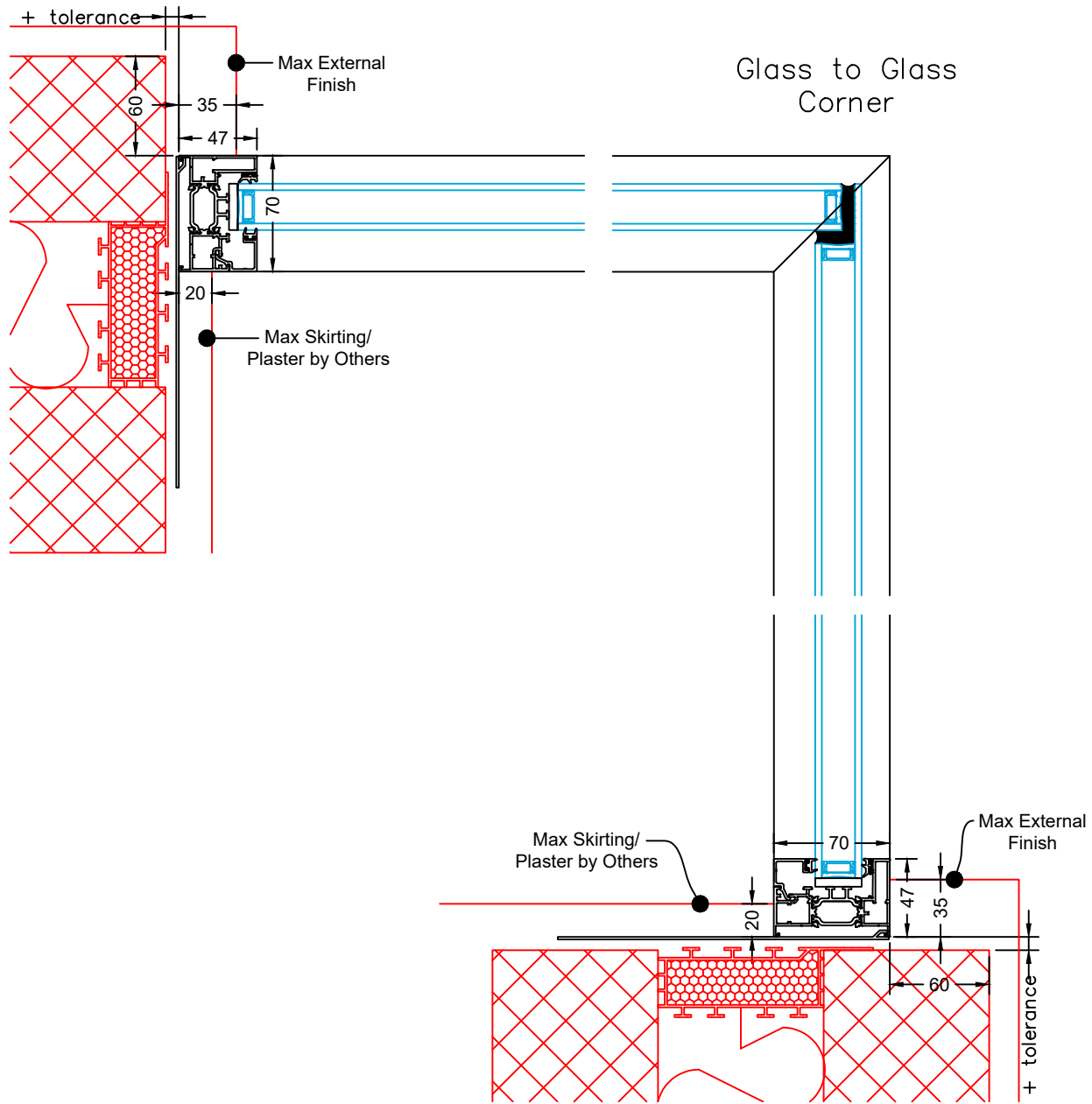


15mm Coupler



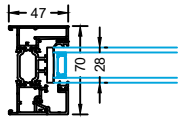
15mm Horizontal Coupler



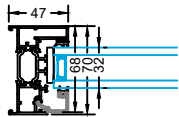


Fixed
Glazing Unit
Options

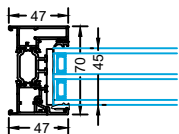
28mm Glass Unit



32mm Glass Unit

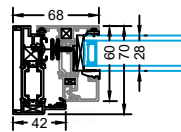


45mm Glass Unit

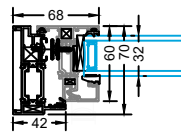


Casement
Glazing Unit
Options

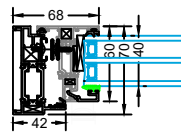
28mm Glass Unit



32mm Glass Unit

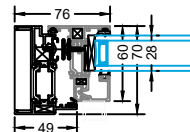


40mm Glass Unit

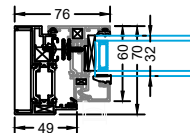


Larger Outerframe
Casement
Glazing Unit
Options

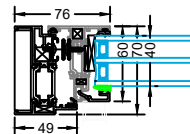
28mm Glass Unit



32mm Glass Unit

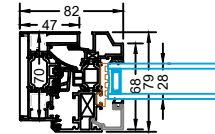


40mm Glass Unit

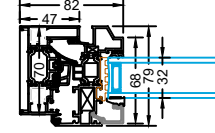


Tilt & Turn
Glazing Unit
Options

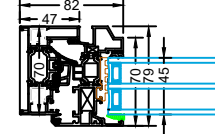
28mm Glass Unit



32mm Glass Unit

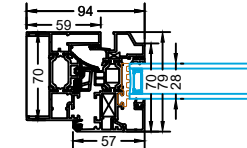


45mm Glass Unit

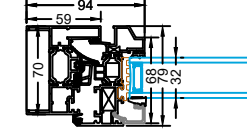


Larger Outerframe
Tilt & Turn
Glazing Unit
Options

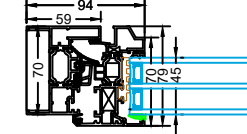
28mm Glass Unit



32mm Glass Unit



45mm Glass Unit



Bifold doors

Sliding doors

Heritage doors

Aluminium windows

Glass roofs

Front doors

Internal glass partitions

Commercial doors

SUNFLEX UK 

sunflexUK.co.uk