

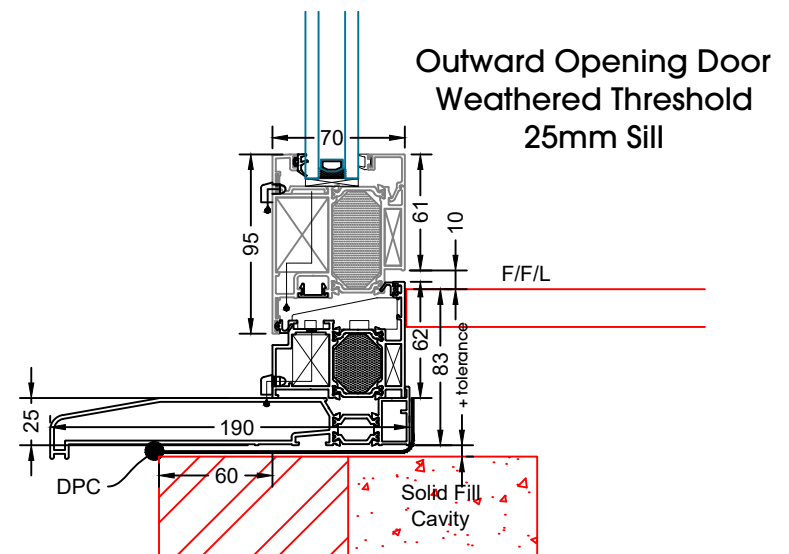
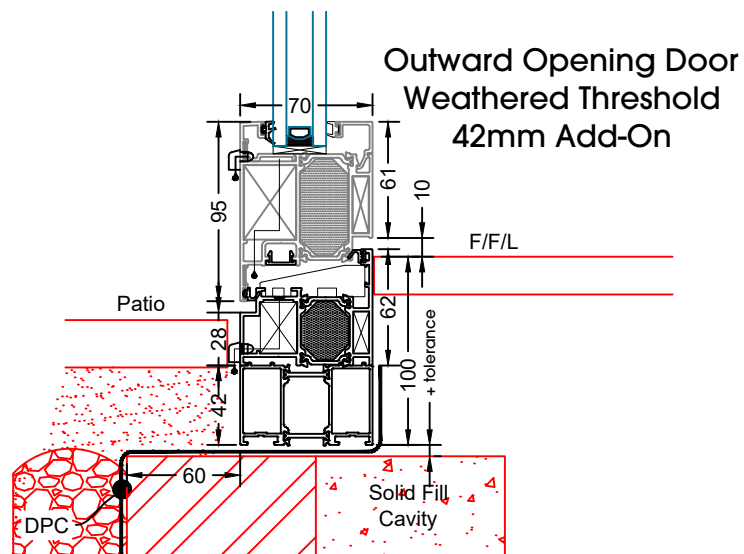
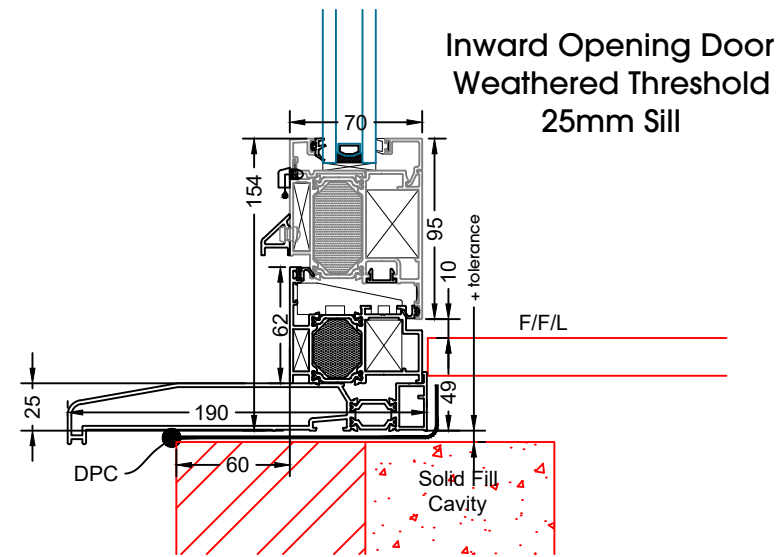
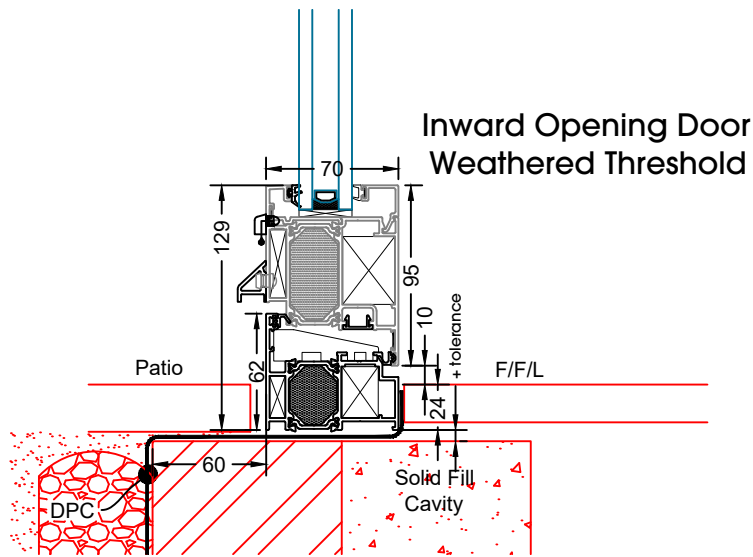
SUNFLEX UK 

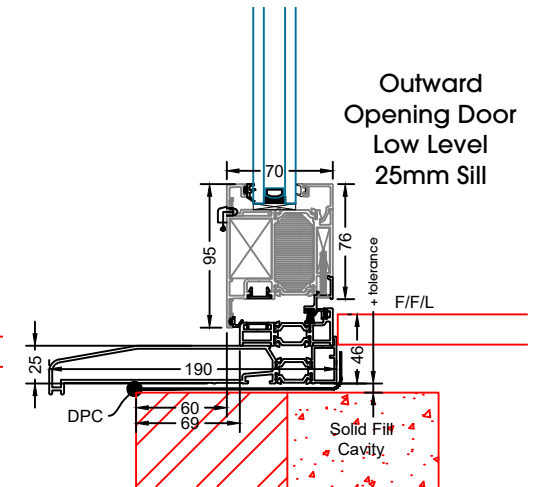
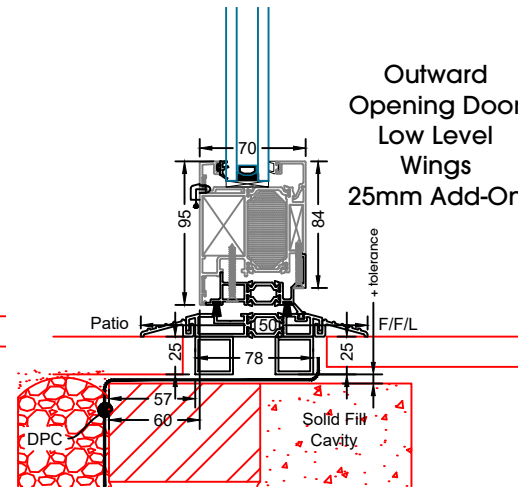
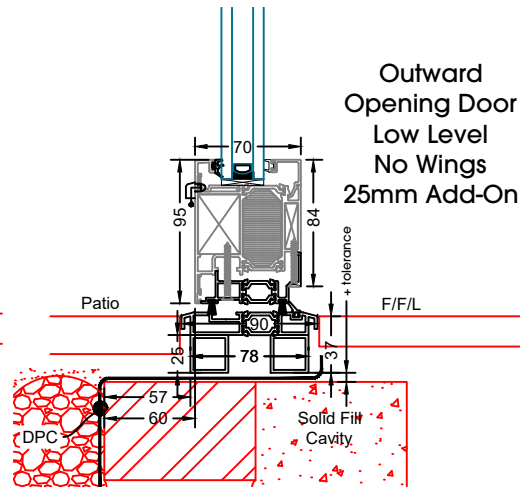
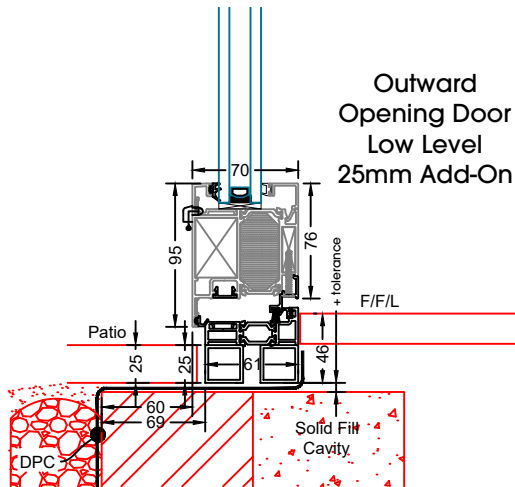
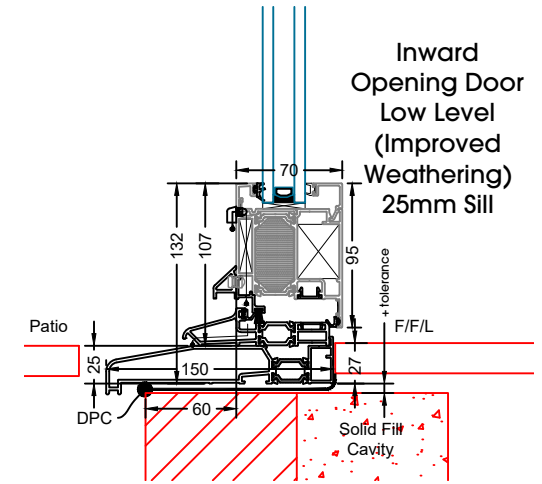
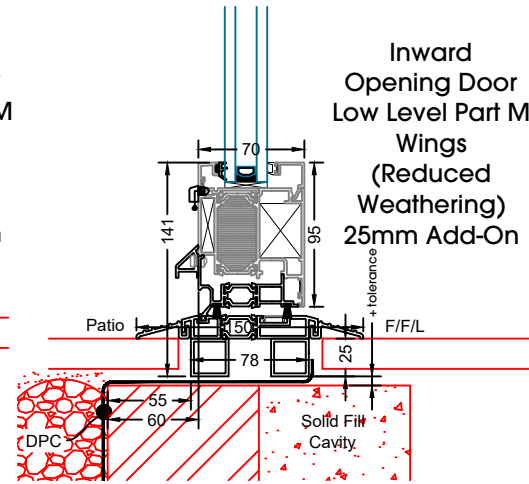
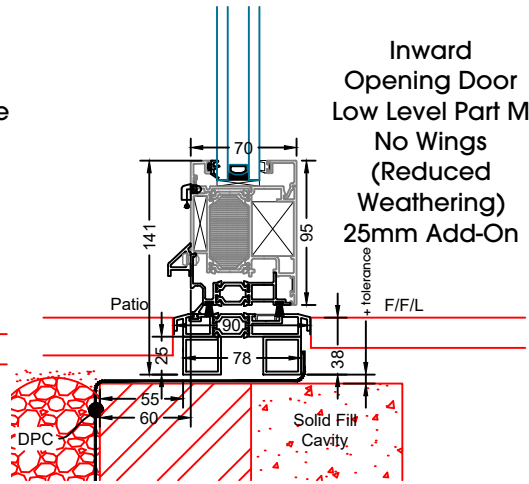
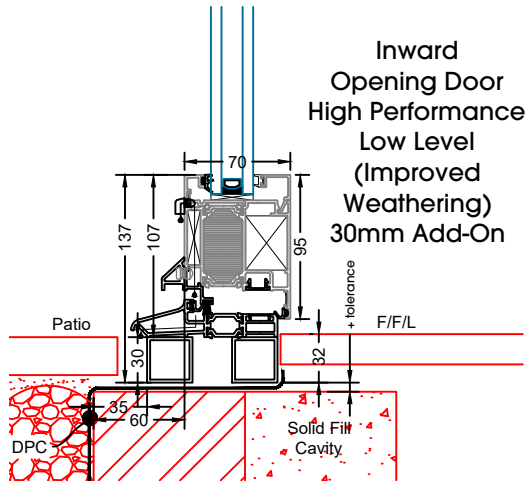
Technical Manual - SAF Door

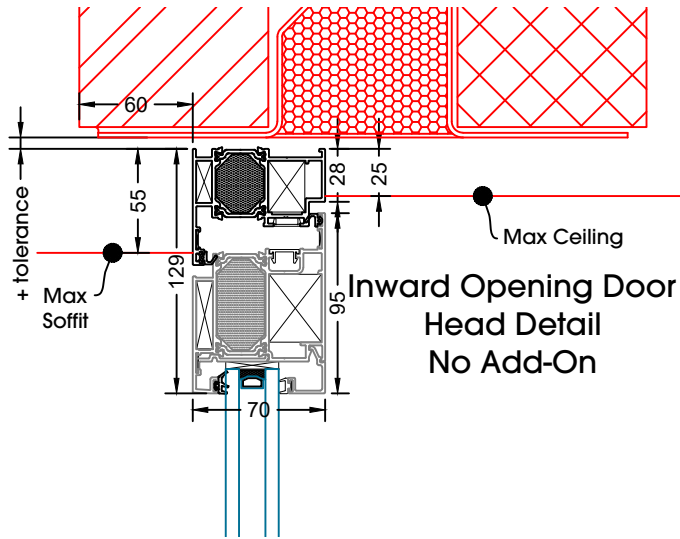


<p>Slim Frames & Concealed Trickle Vents</p>	<p>Aluminium is a strong material enabling slimmer frames. Maximising your view and the amount of light into your room. Outerframe to glass is just 129mm and French door sightline is 197mm. Trickle vents are concealed externally under a hood for a clean subtle look.</p>
<p>A smooth neat finished look on the outside of the door with the door sash and the outer frame finishing perfectly inline for a flush look.</p>	<p>Flush Look</p>
<p>Modern Look Throughout</p>	<p>All the SAF doors are a modern square edge profile. No rounded or chamfered profiles. Matches in well with the SAF windows which provide many options for full project symmetry, sidehung, top hung, fixed, angled fixed and tilt and turn windows. The Sunflex UK bi-fold and sliding doors are also a modern square edge profile for a whole house solution.</p>
<p>The handles are a crucial element of any door. Available colour matched to the door colour or stainless steel. The SAF French doors have handles on the main and secondary door for a symmetrical look and practical operation.</p>	<p>French Door Handles</p>
<p>Thermal Performance & Weather Tightness</p>	<p>Large thermal breaks between the inside and outside aluminium to help keep heat inside the room. Overall U-Values 1.0 Triple Glazed and 1.4 double glazed. Keeping the heating bills down and making the room feel warmer. The SAF door closes tight against 2 points, a double rebated outer frame providing a very tight seal.</p>
<p>Tested to PAS24 2022 security standard by BSI who issue the British Kitemarks. Backed up by Secure By Design, a police security initiative. External key cylinder is a high security 6 Pin Anti-Snap, Anti-Bump & Anti-Drill. This along with the double rebate outer frame provides excellent security for peace of mind. All SAF doors are made in the Sunflex UK manufacturing plant, over 20 years' experience of manufacturing high end aluminium doors and windows.</p>	<p>Security & Peace of Mind</p>
<p>Range of Track Options</p>	<p>3 different bottom track options to suit your project requirements. Double rebated weathered track for the ultimate in weather performance. A low-level rebated track for a lower step over and a weather rating, or a flush ramped track with the same floor level on both sides. A range of projecting sill options under these.</p>

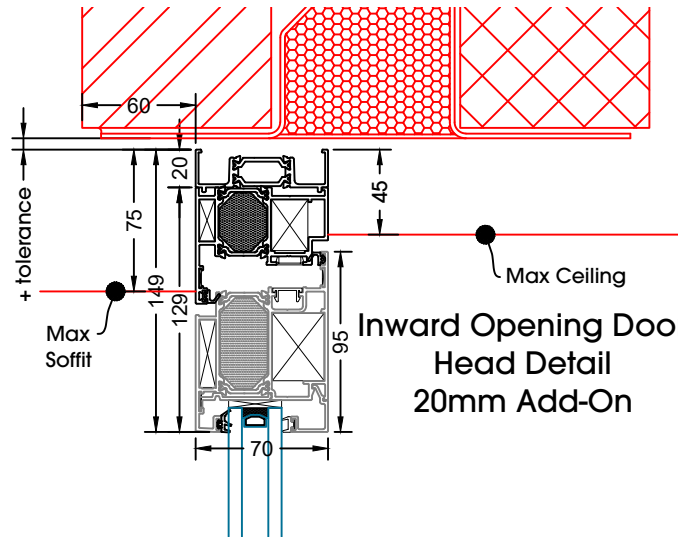
Standard colours					Security				
Frame & Sills	RAL 7016 Anthracite Grey in matt finish				Locking	Multipoint locking system with hook lock and cams.			
	RAL 9005 Jet Black in matt finish					Double rebated outer frame.			
Horizontal Lever Handles	Charcoal Grey Metallic in textured finish(DB703)				Accreditations	Key locking, 6 Pin, Anti Bump, Anti-Snap, Anti-Drill			
	200 Non-standard RAL colours, dual colour and marine finish available					PAS 24:2022 certification* (P1a Security Glass Required)			
Vertical Square & Round T-Bar Handles	Colour Matched to door colour				Secure By Design™* (P1a Security Glass Required)				
	Stainless Steel				BSI Kitemark				
Hinges	Colour matched feature/bar handles could be available, price on application.				Weather Performance*				
	Colour Matched to door colour				Track Detail	Flush (Doc M)	Low Level One Rebate Seal	Weathered Double Rebate Seal	
Maximum & Minimum Door Sizes (mm)					Water tightness BS EN 12208	Not Tested	150 Pa. (Class 4A)	1050 Pa. (Class E)	
Opening Style	Min Width	Max Width	Min Height	Max Height	Air permeability BS EN 12207	Not Tested	600 Pa. (Class 3)	600 Pa. (Class 4)	
Single Door	600	1200	1700	2500	Wind resistance BS EN 12210	Not Tested	1200 Pa.	2400 Pa. (Class AE)	
French Door	1100	2400	1700	2500	*Dependant on opening direction and style, please contact Sunflex UK for specific results.				
Side Lights	300	3000	300	3000					
Thermal Performance					Trickle Vent Options	4000mm ² or 8000mm ² Airflow Concealed in 42mm Canopy			
Glass thickness Options	28mm, 32mm or 45mm				Sill Options (see page 10 for further details)	85mm x 25mm (outward Opening Only)		135mm x 25mm	
Centre pane	Example of glass			Overall U-Value		150mm x 25mm		190mm x 25mm	
1.0 W/m ² k Double glazed	4mm toughened x 20mm Argon x 4mm toughened soft coat			from 1.4 W/m ² k		225mm x 25mm		300mm x 34mm (Inward Opening Only)	
0.7 W/m ² k Double glazed	4mm toughened x 20mm Argon x 4mm toughened CUIN Ultra			from 1.2 W/m ² k					
0.5 W/m ² k Triple glazed	4mm toughened x 16mm Argon x 4mm toughened x 16mm Argon x 4mm toughened soft coat			from 1.0 W/m ² k	Heritage Style (See page 11 for further details)	30mm Plant on bar.			
					116mm Midrail				



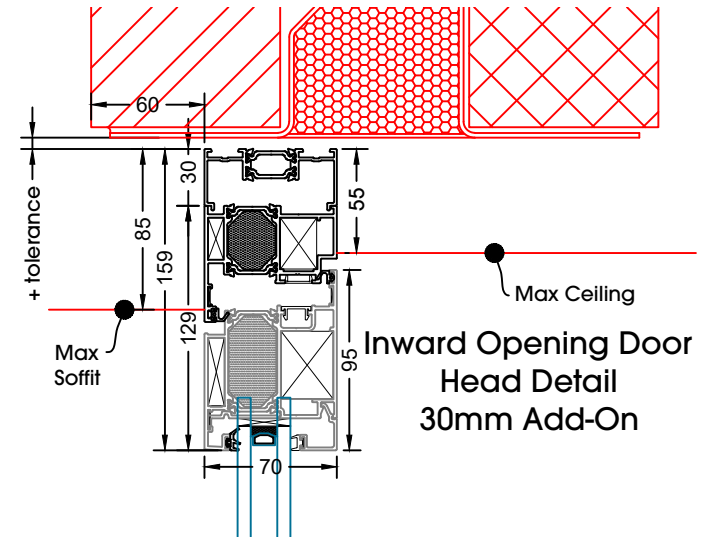




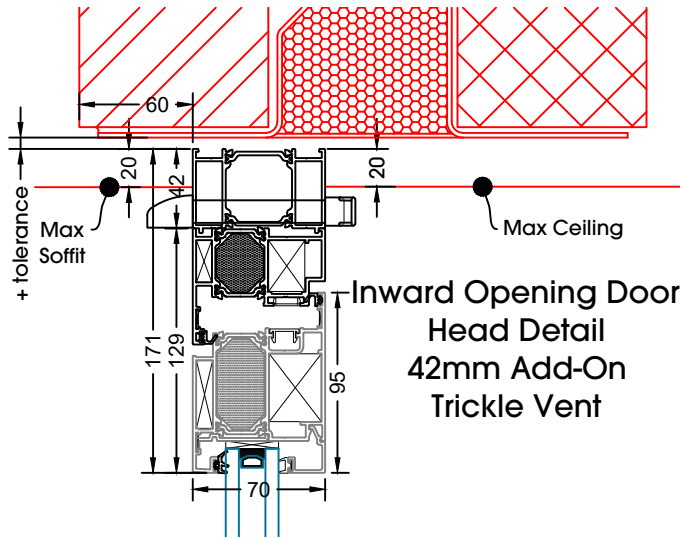
Inward Opening Door
Head Detail
No Add-On



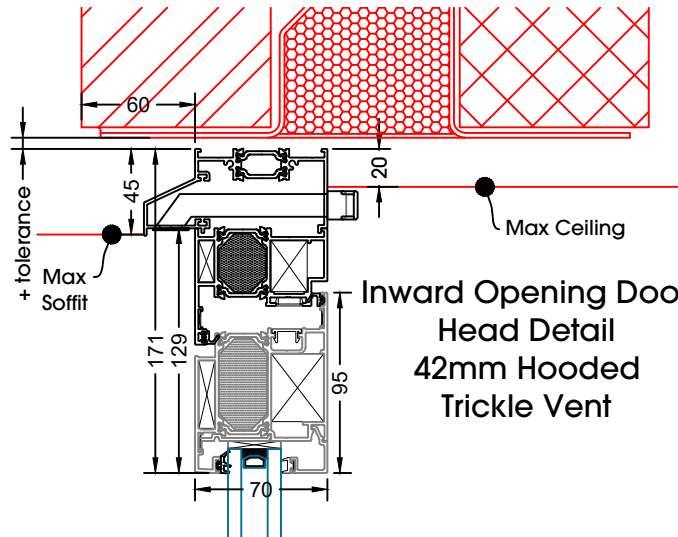
Inward Opening Door
Head Detail
20mm Add-On



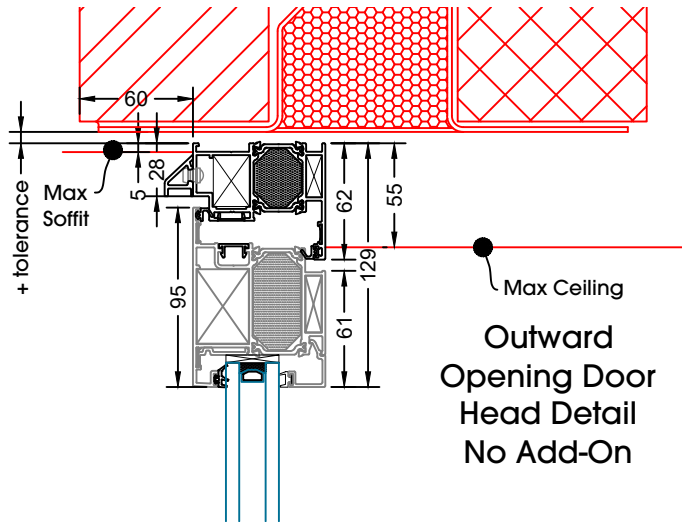
Inward Opening Door
Head Detail
30mm Add-On



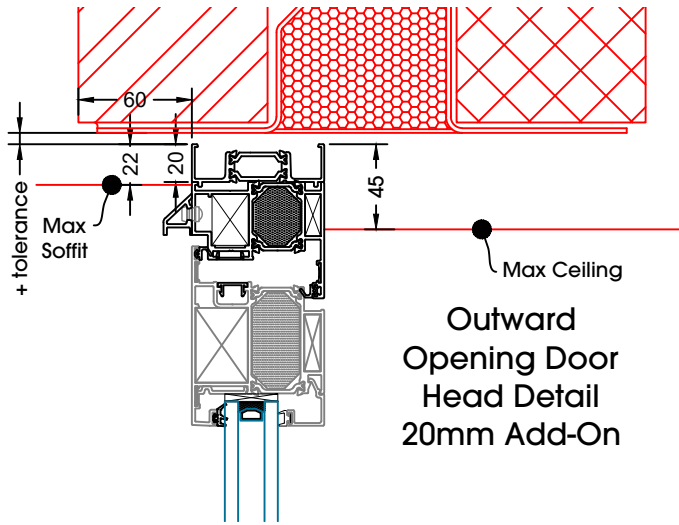
Inward Opening Door
Head Detail
42mm Add-On
Trickle Vent



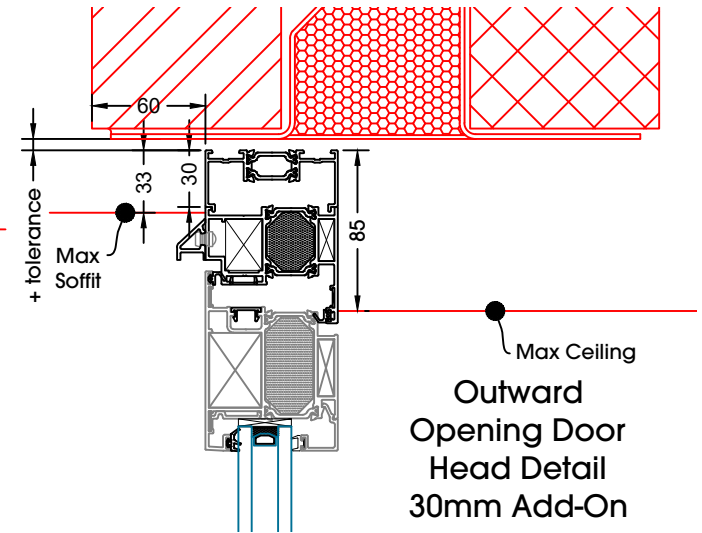
Inward Opening Door
Head Detail
42mm Hooded
Trickle Vent



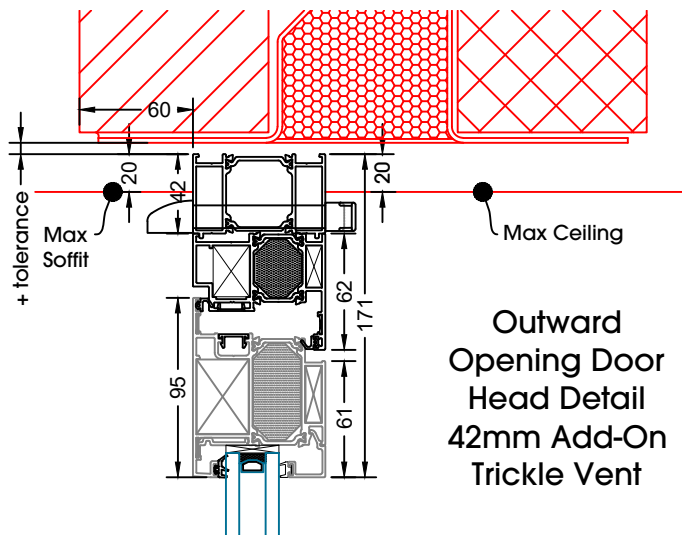
Outward
Opening Door
Head Detail
No Add-On



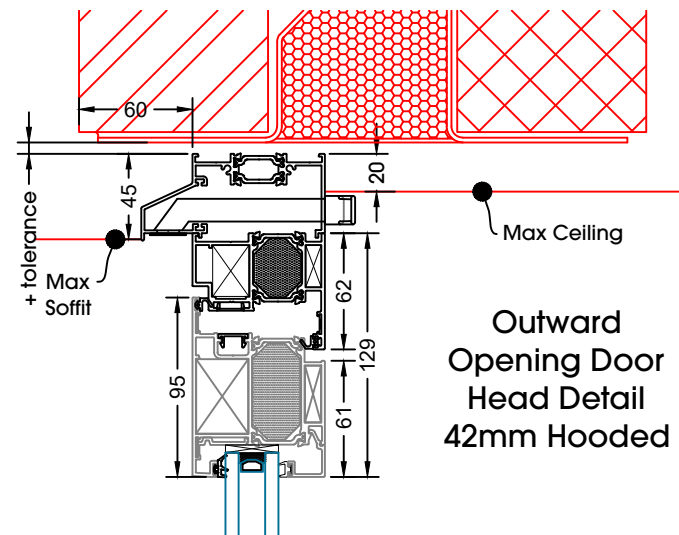
Outward
Opening Door
Head Detail
20mm Add-On



Outward
Opening Door
Head Detail
30mm Add-On

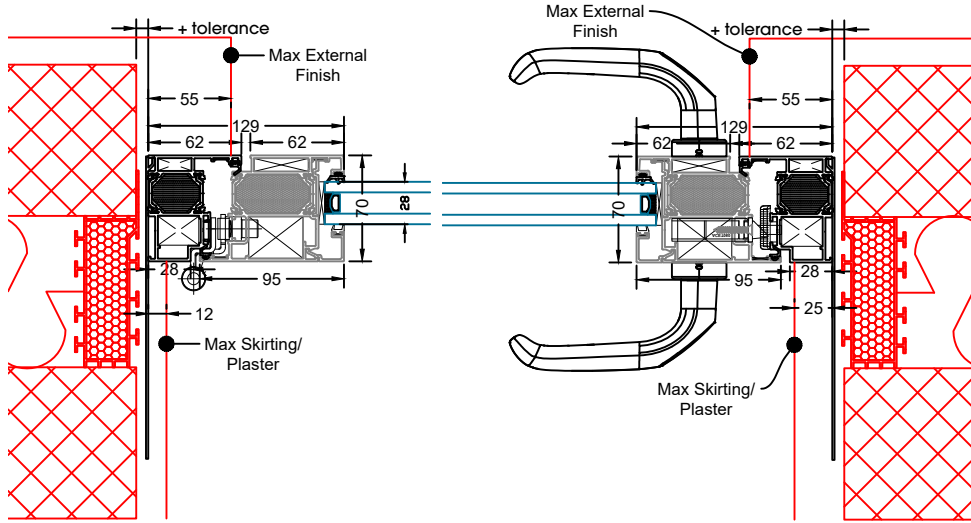


Outward
Opening Door
Head Detail
42mm Add-On
Trickle Vent

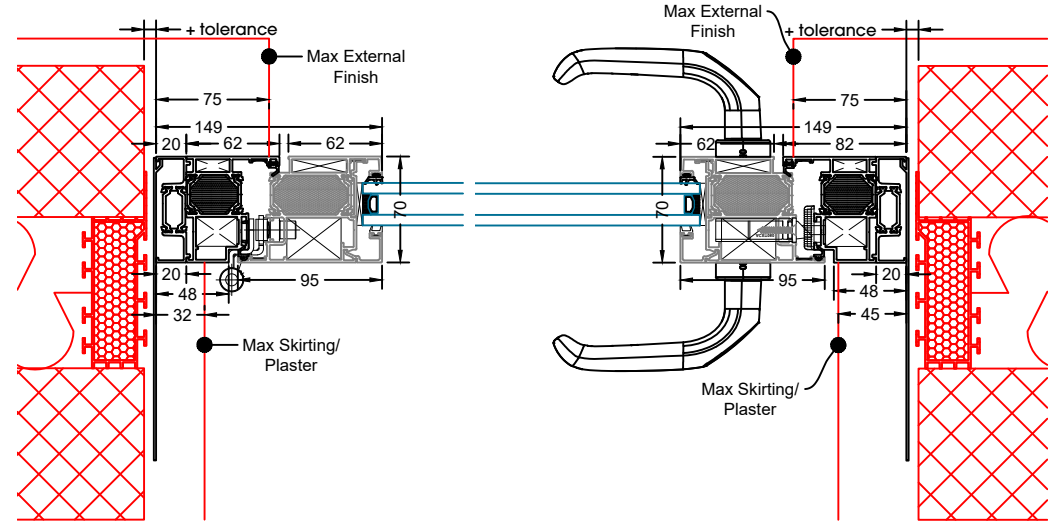


Outward
Opening Door
Head Detail
42mm Hooded

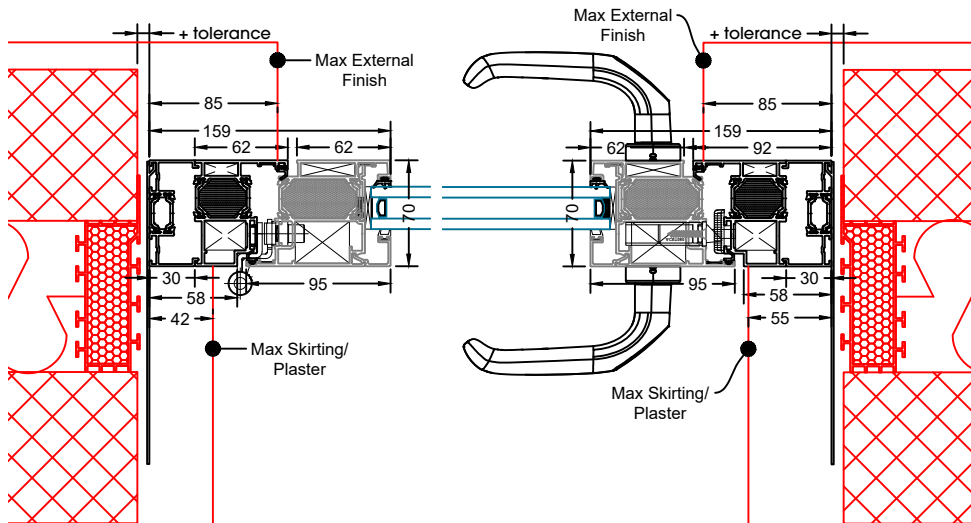
Flush Single Door
Open Inwards



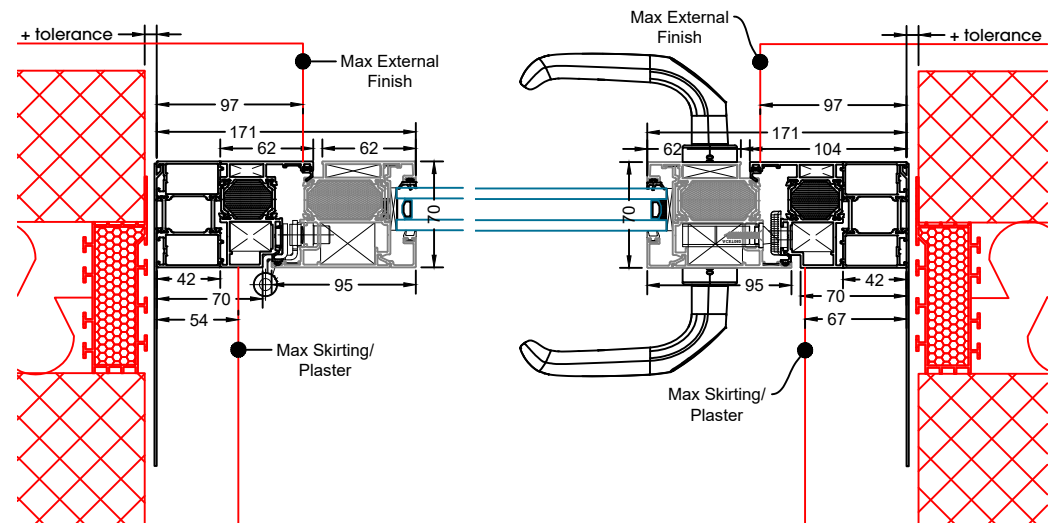
Flush Single Door
Open Inwards
20mm Add-Ons to Both Jamb



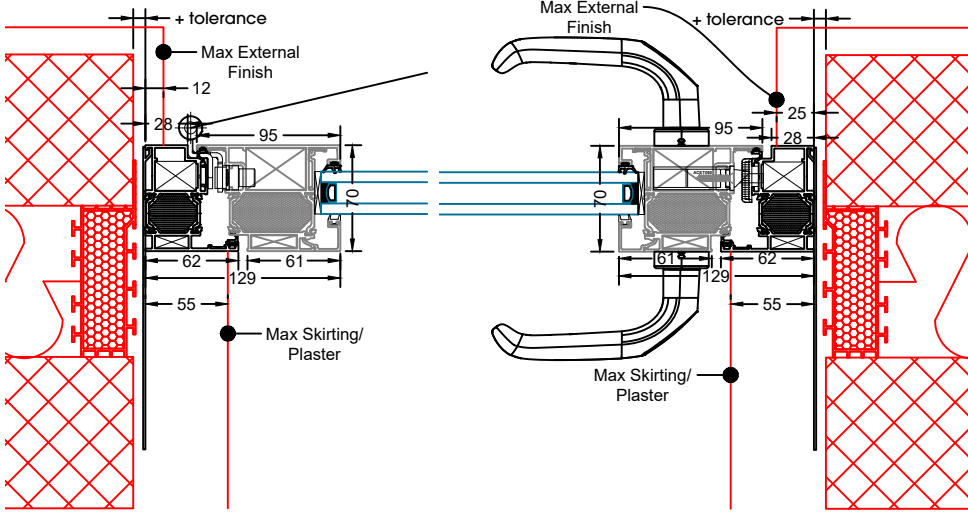
Flush Single Door
Open Inwards
30mm Add-Ons to Both Jamb



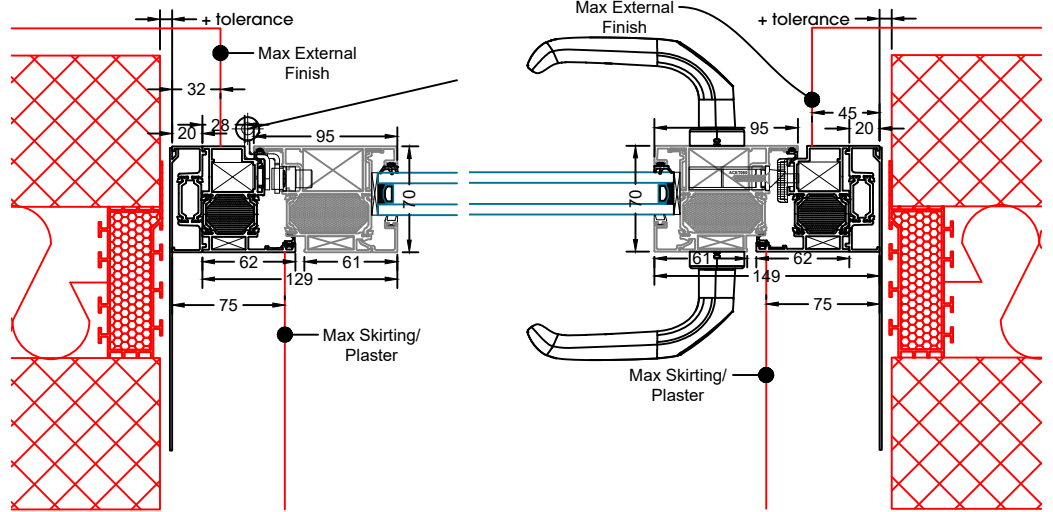
Flush Single Door
Open Inwards
42mm Add-Ons to Both Jamb



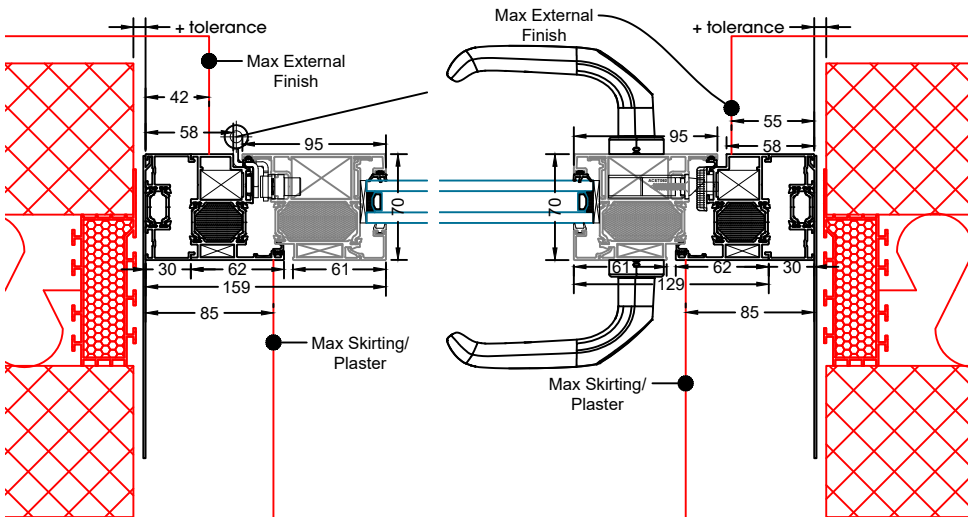
Flush Single Door
Open Outwards



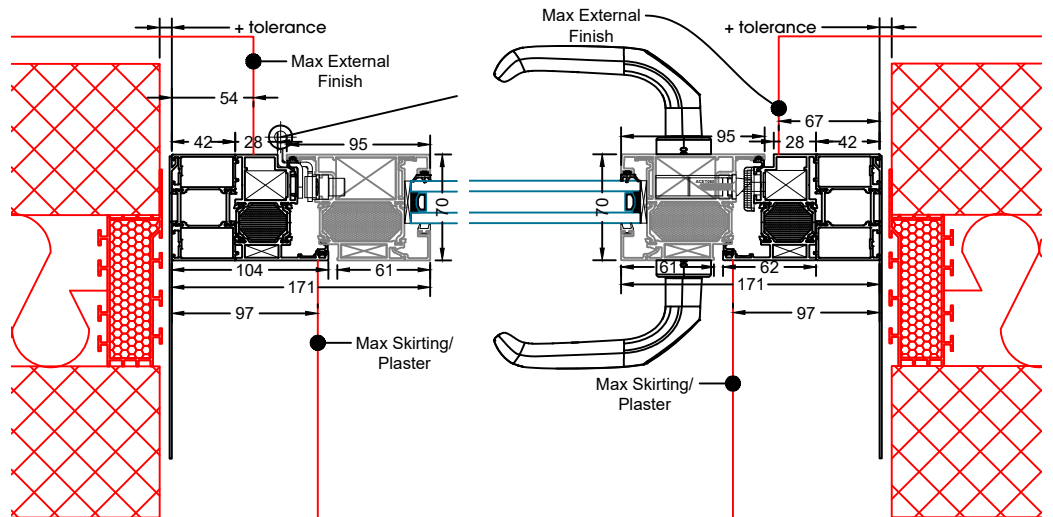
Flush Single Door
Open Outwards
20mm Add-Ons to Both Jamb



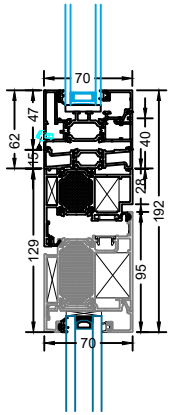
Flush Single Door
Open Outwards
30mm Add-Ons to Both Jamb



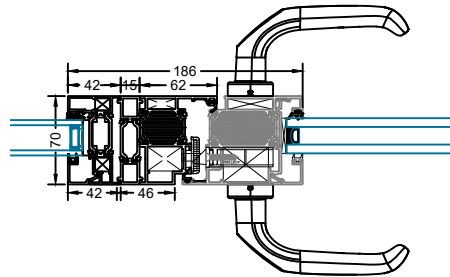
Flush Single Door
Open Outwards
42mm Add-Ons to Both Jamb



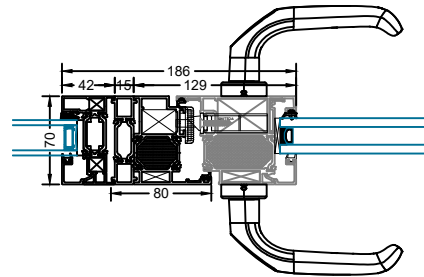
Fixed Overlight
Coupled to
Inward Opening Door



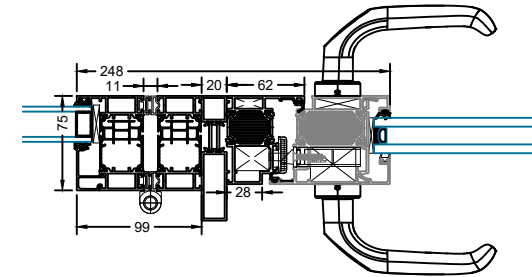
Flush Single Door
Open Inwards
Coupled to Fixed Frame



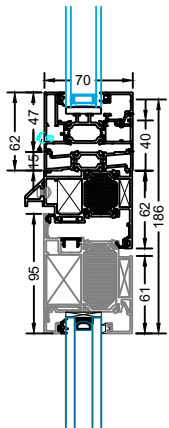
Flush Single Door
Open Outwards
Coupled to Fixed Frame



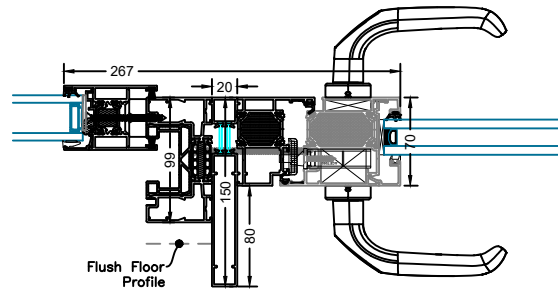
Flush Single Door
Open Inwards
Coupled to SF75
Bifold Door



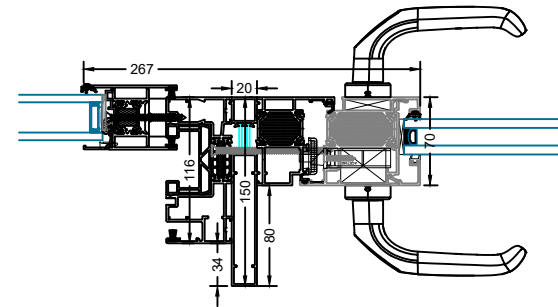
Fixed Overlight
Coupled to
Outward Opening Door

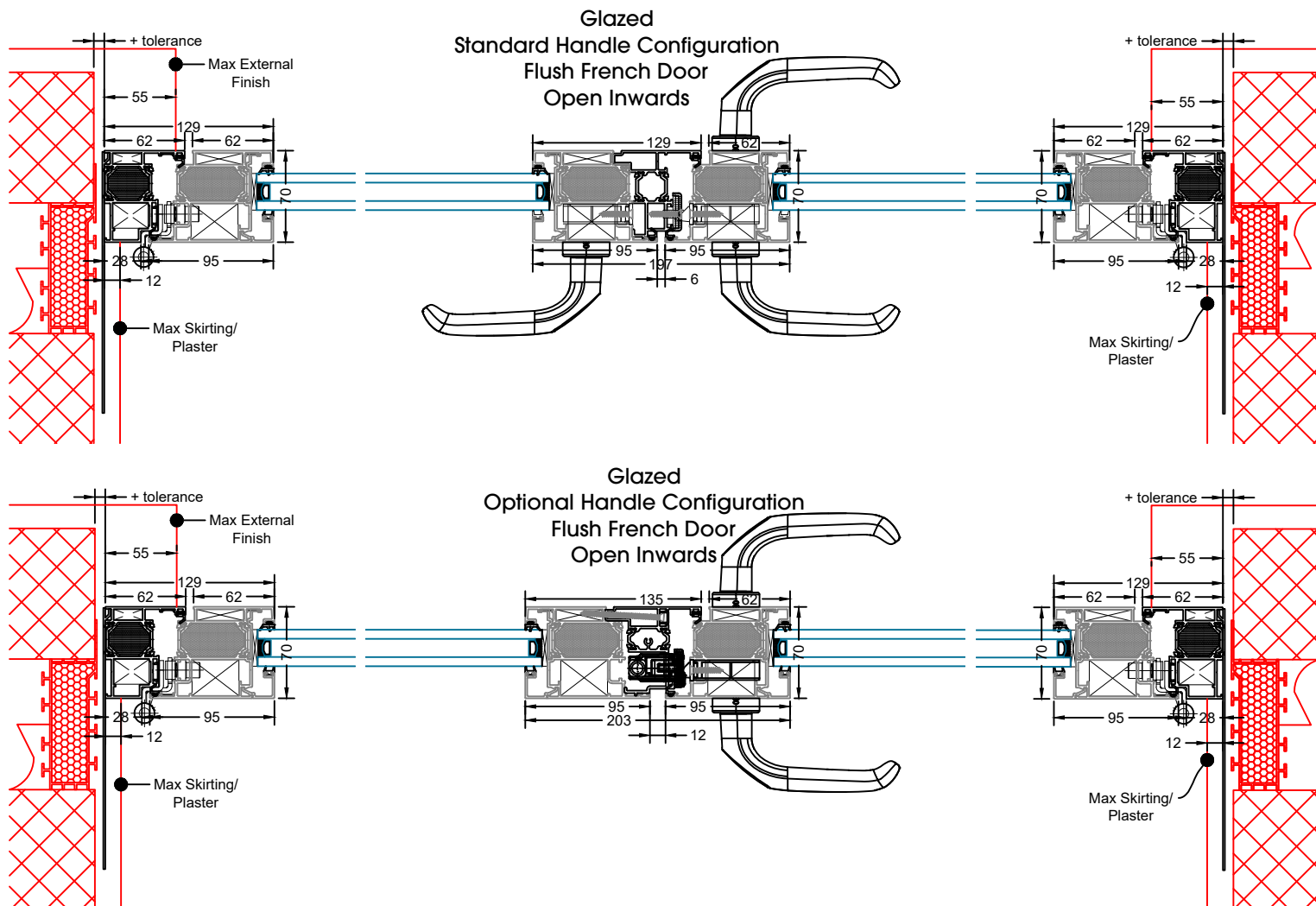


Flush Single Door
Open Inwards
Coupled to EDGE2.0

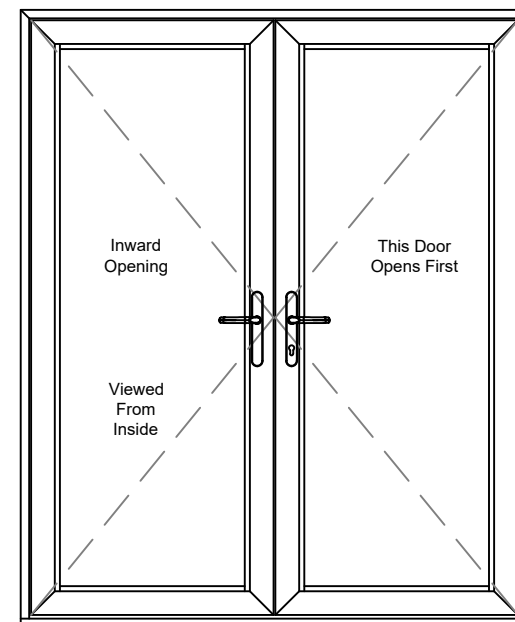


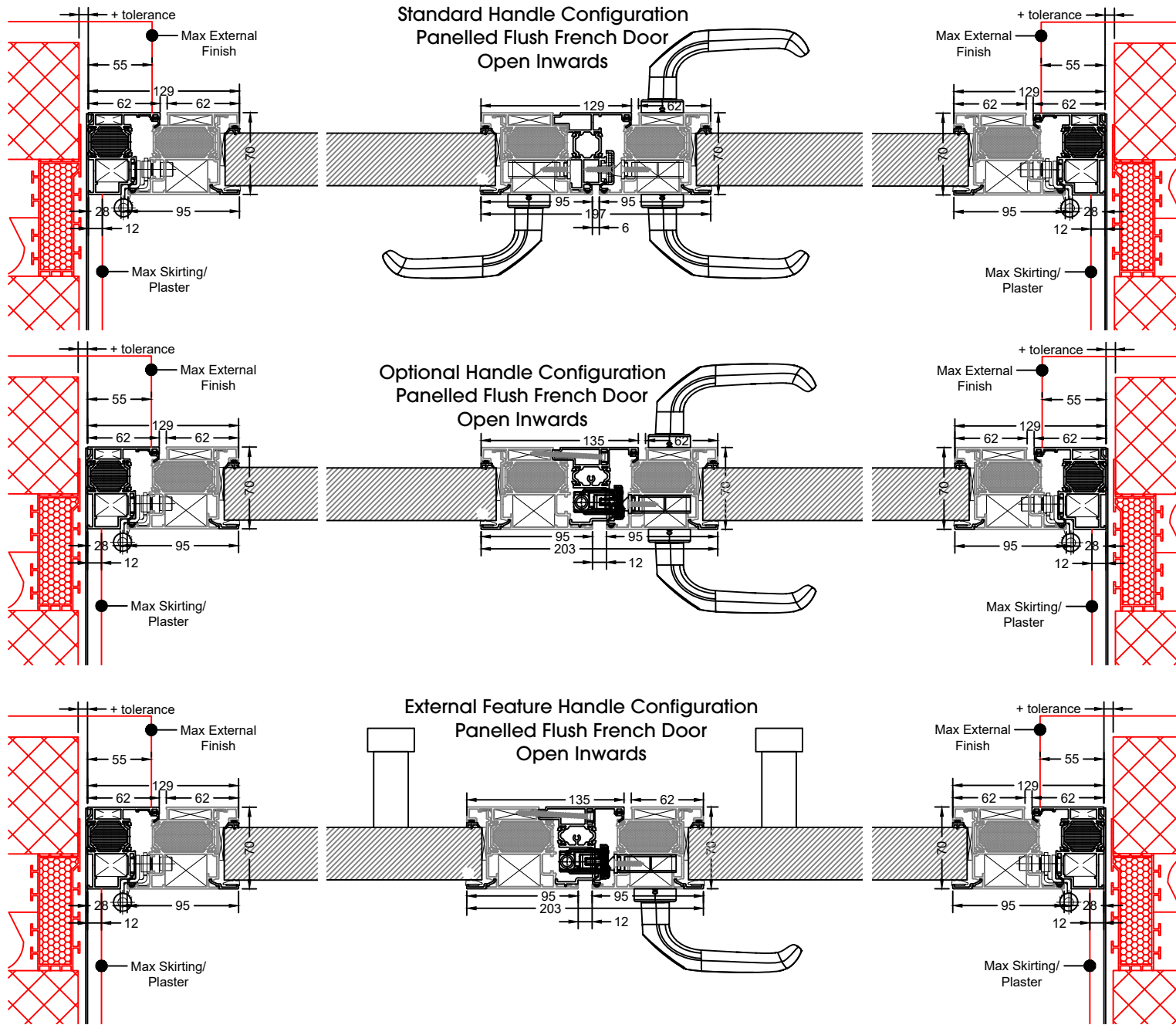
Flush Single Door
Open Inwards
Coupled to Flush All Round
EDGE2.0



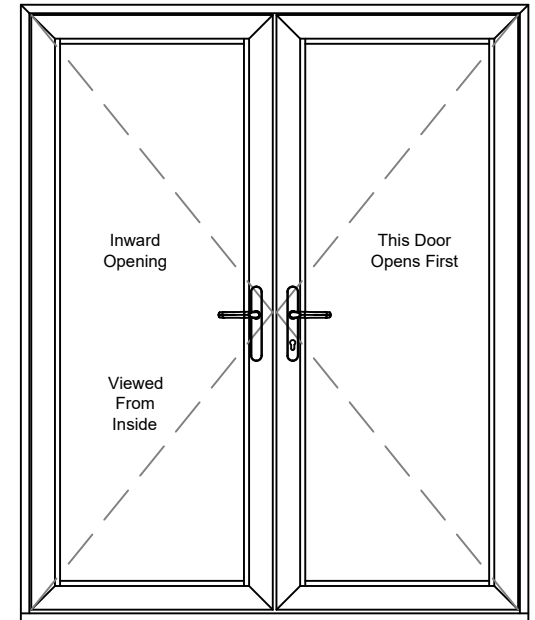


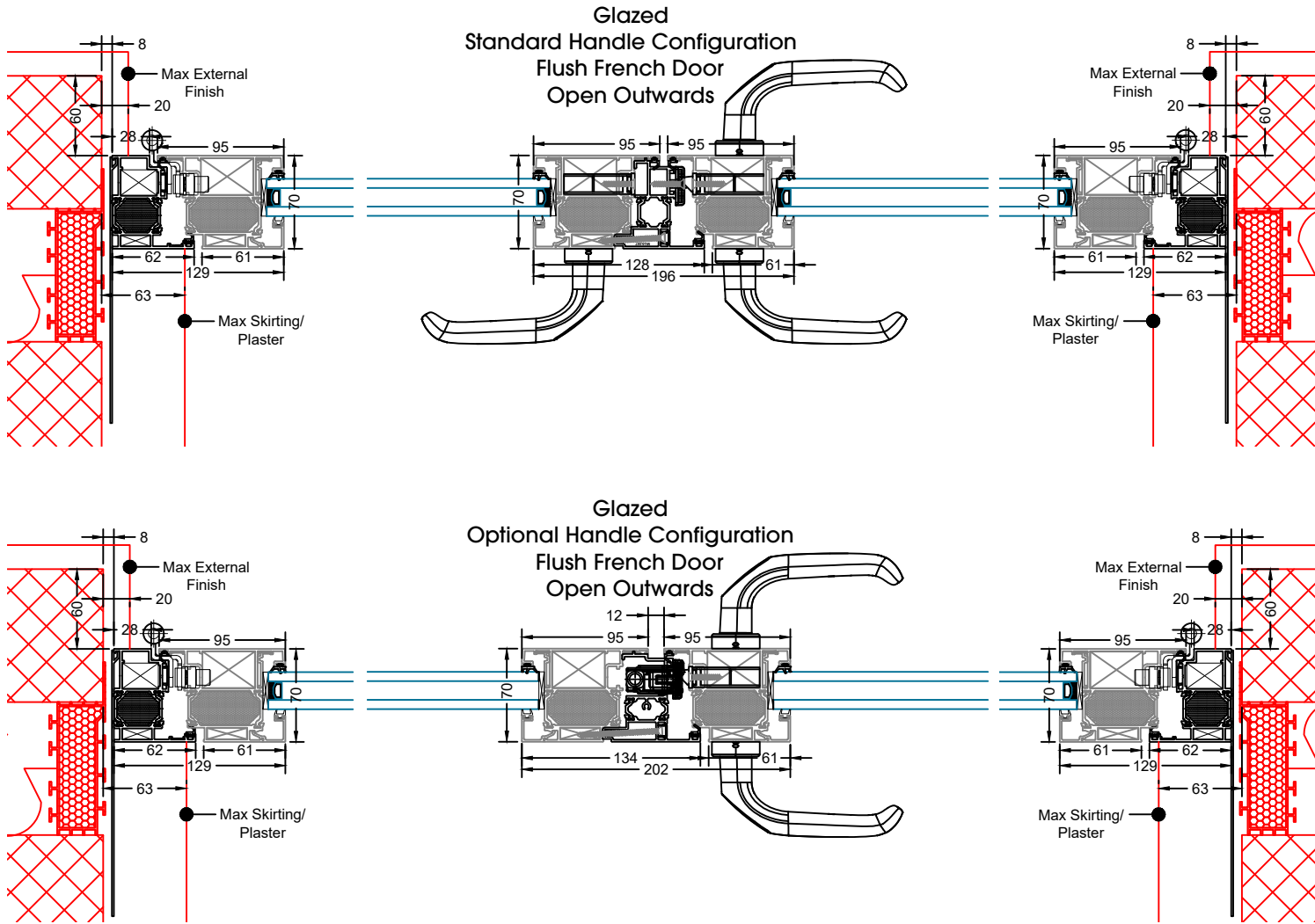
Glazed Inward Opening French Doors



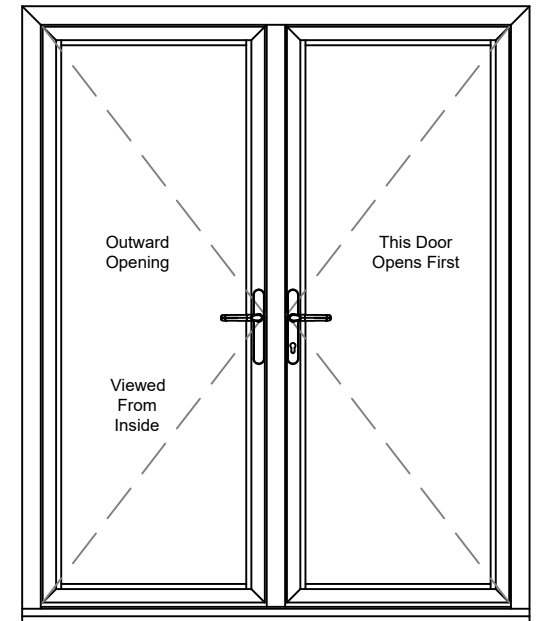


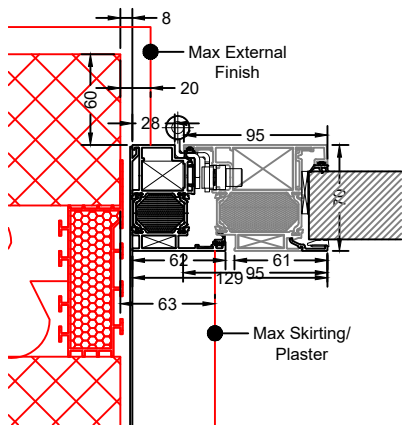
Panelled Inward Opening French Doors



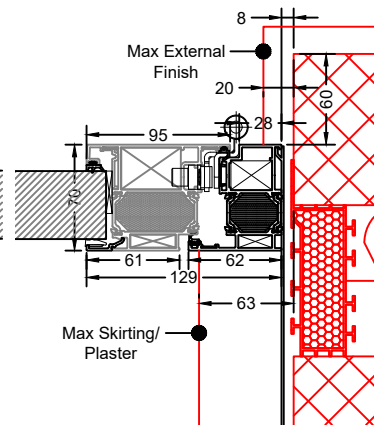
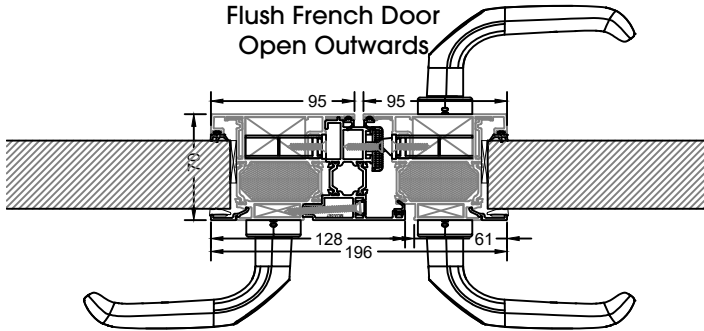


Glazed Outward Opening French Doors

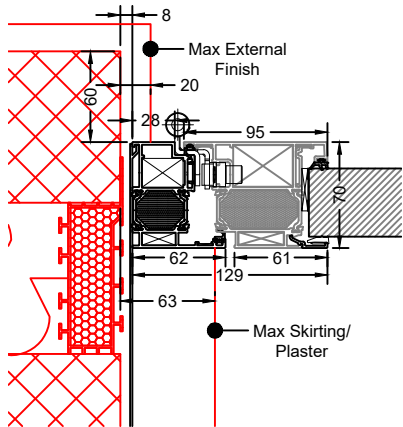




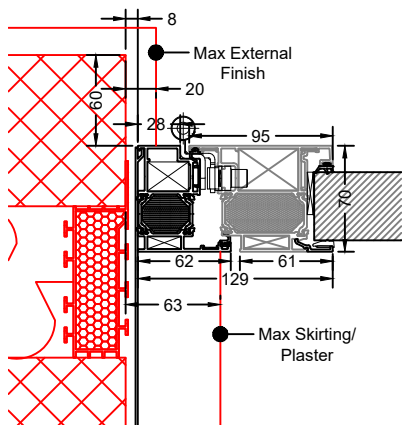
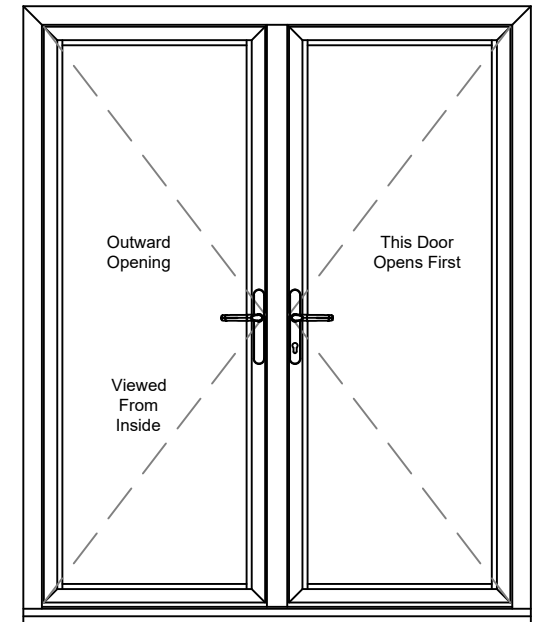
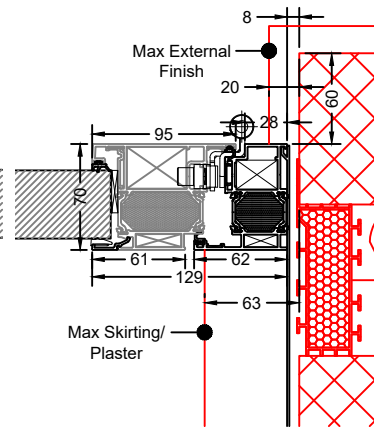
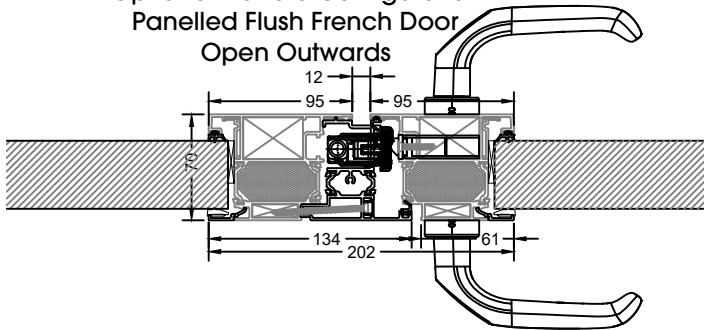
Standard Handle Configuration
Flush French Door
Open Outwards



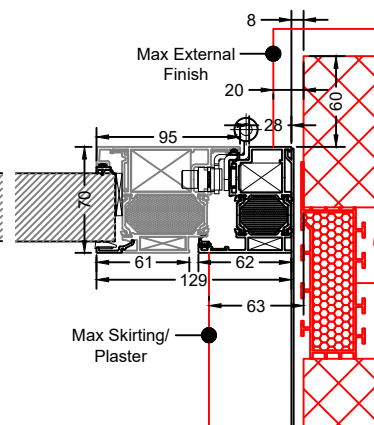
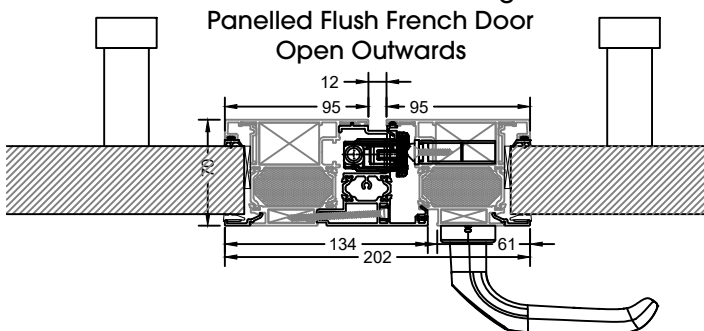
Panelled Outward Opening French Doors

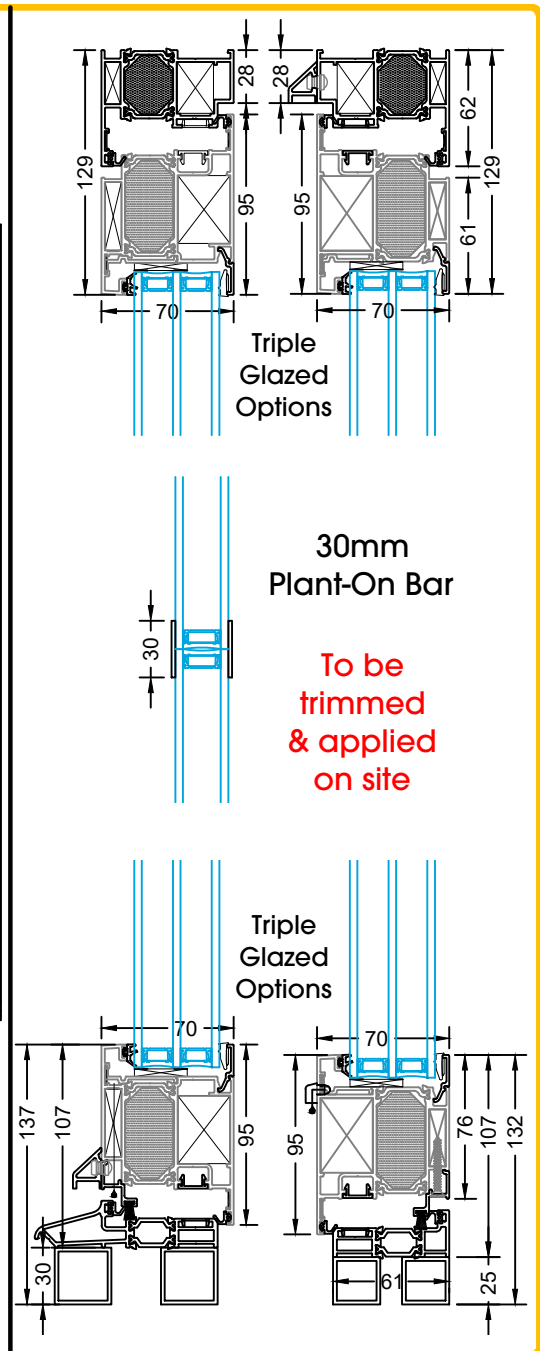
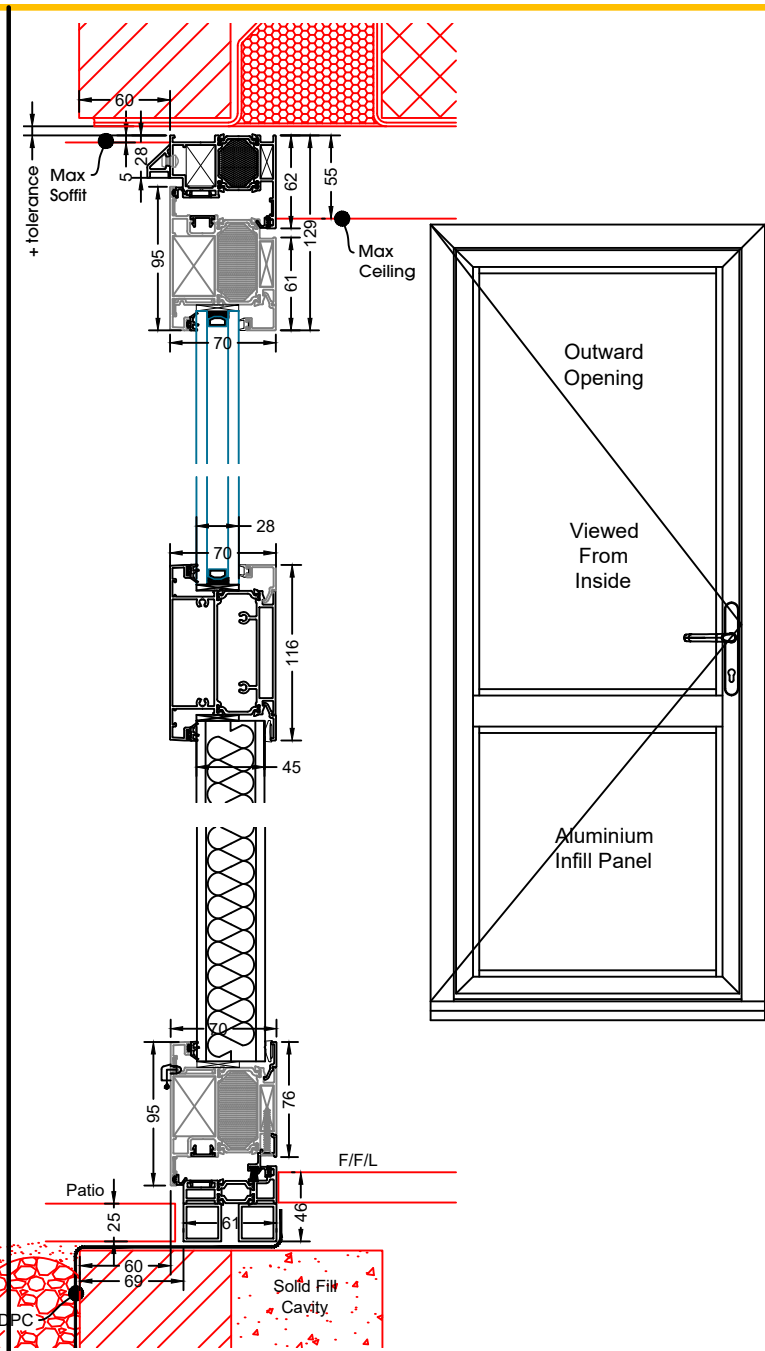
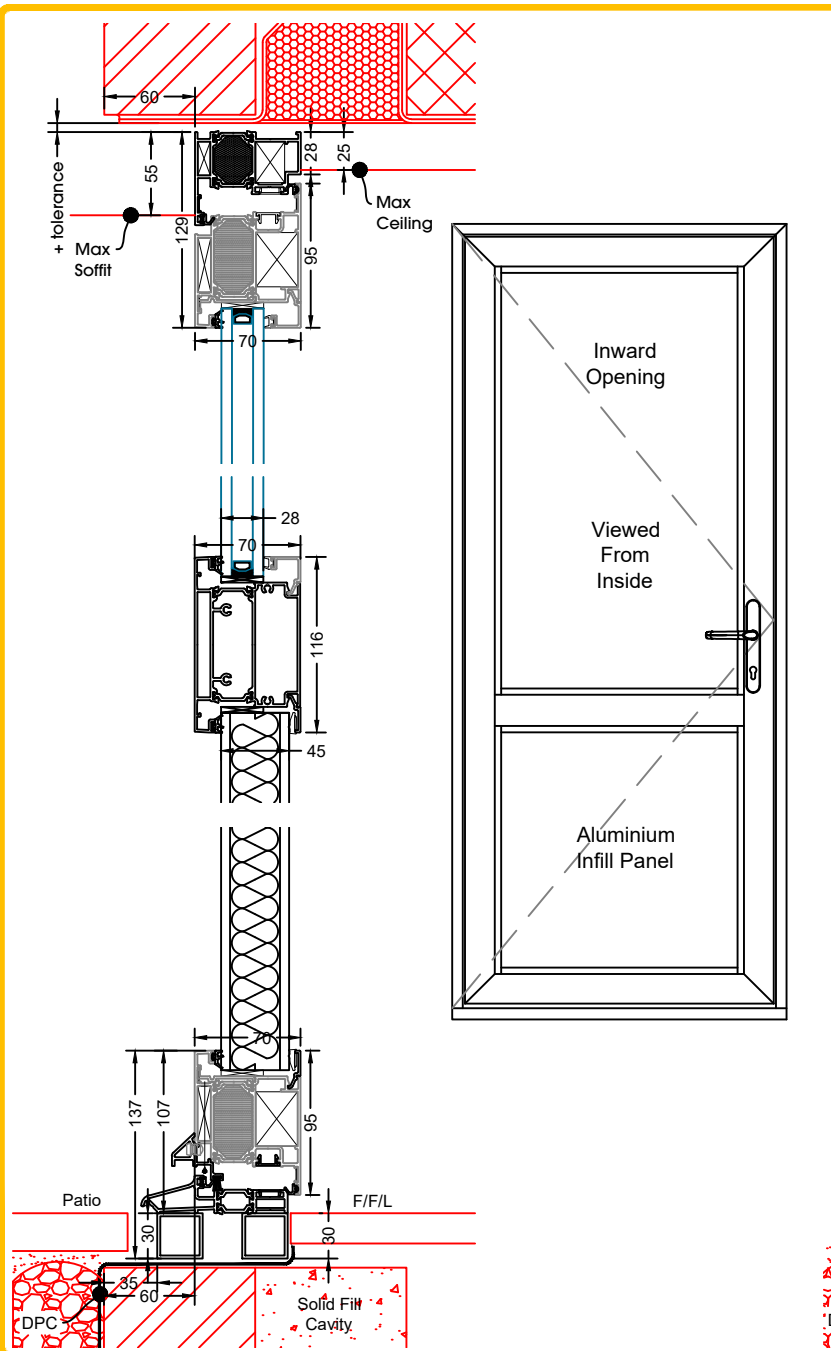


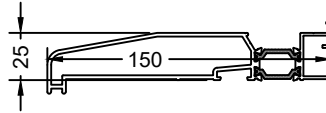
Optional Handle Configuration
Panelled Flush French Door
Open Outwards



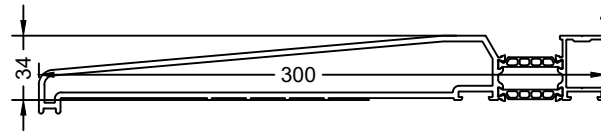
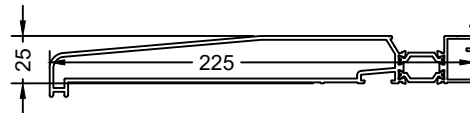
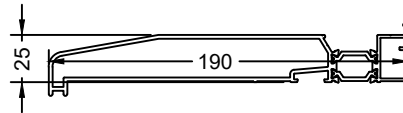
External Feature Handle Configuration
Panelled Flush French Door
Open Outwards





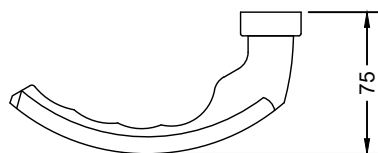
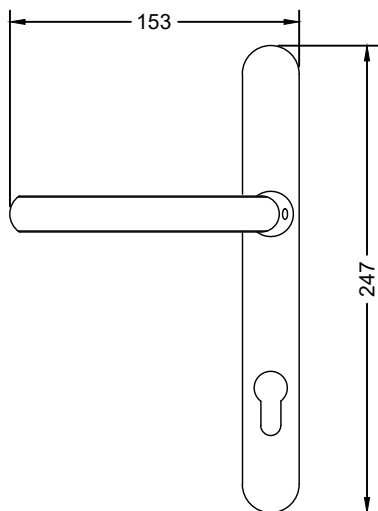


Inward Opening
Low-Level Only

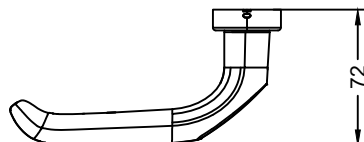
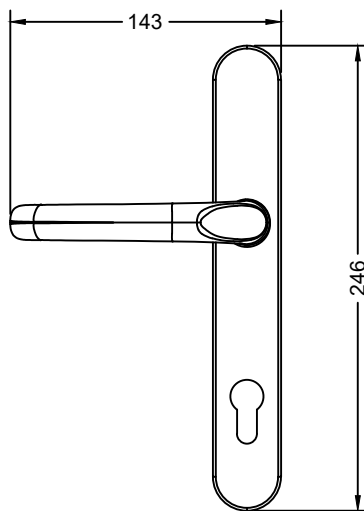


Inward
Opening Only

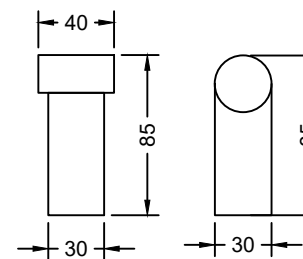
**COASTAL KM130
STAINLESS STEEL
HANDLE**



**SOBINCO
HANDLE**



**SQUARE & ROUND
T BAR HANDLES**



HANDLE TYPE	HANDLE HEIGHT
SQUARE T BAR	900MM, 1200MM, 1500MM
ROUND T BAR	400MM, 900MM, 1200MM, 1500MM, 1800MM

COASTAL KM130
STAINLESS STEEL
HANDLE



SOBINCO
HANDLE



RECTANGULAR
BAR HANDLE



ROUND
BAR HANDLE



COASTAL
STAINLESS STEEL
LETTER PLATE



COASTAL
STAINLESS STEEL
SQUARE
DOOR KNOB



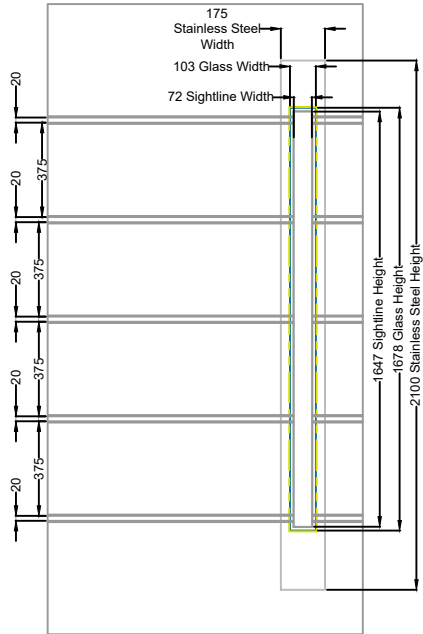
COASTAL
STAINLESS STEEL
SQUARE
DOOR KNOCKER



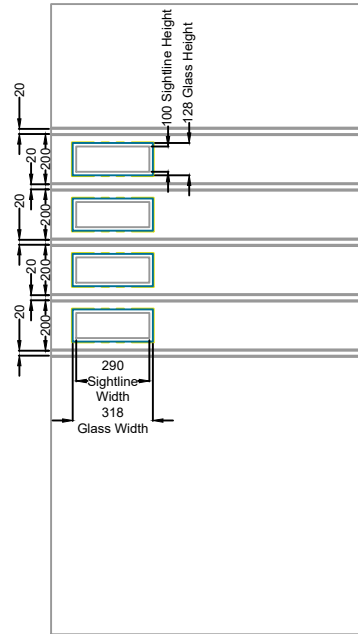
SPY HOLE
&
COVER



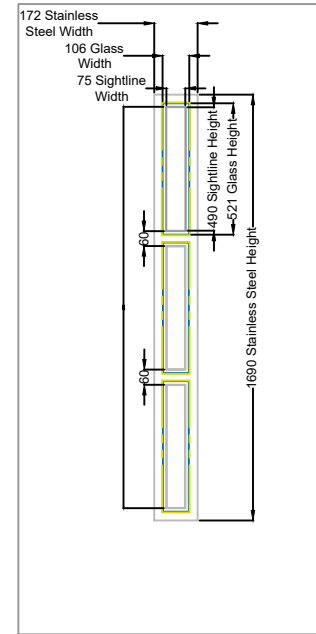
PREMIER CANTLEY



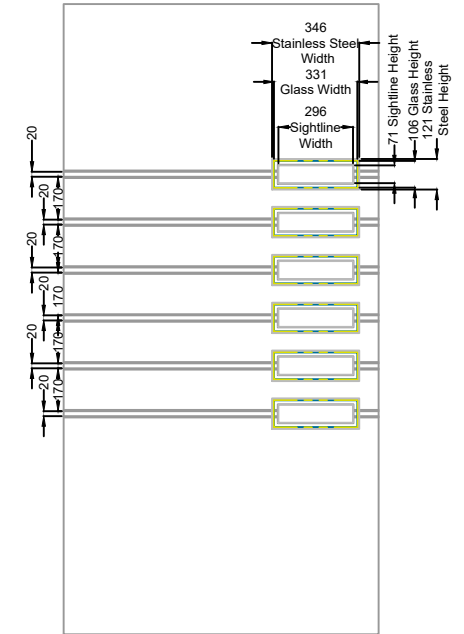
CARLTON



PREMIER HENHAM

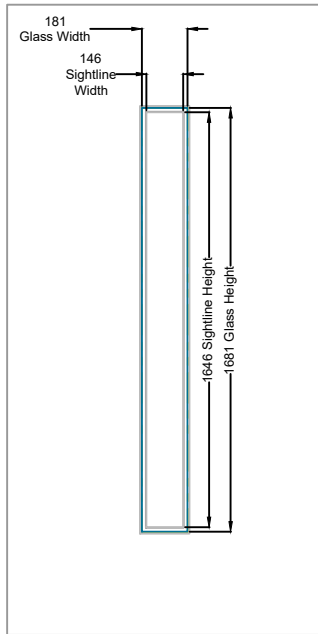


PREMIER WYMONDHAM



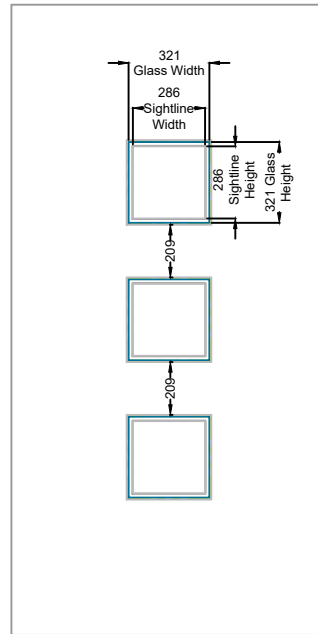
ALDBOROUGH

1



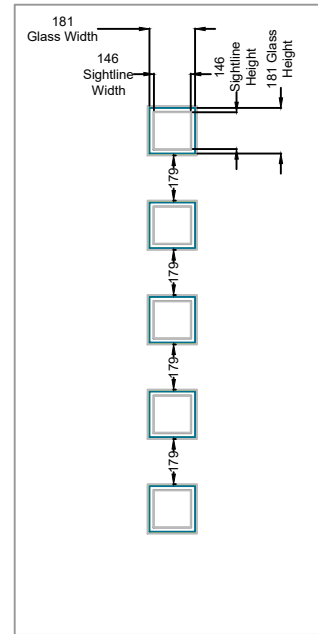
ALDBOROUGH

3



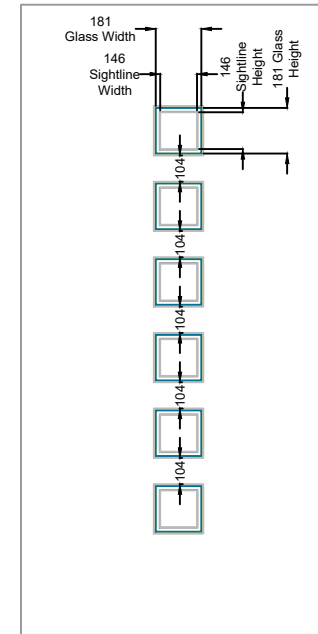
ALDBOROUGH

5

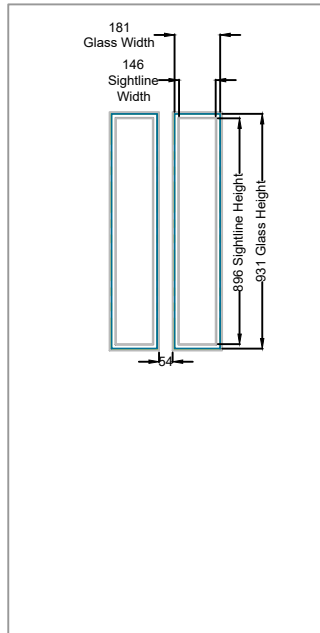


ALDBOROUGH

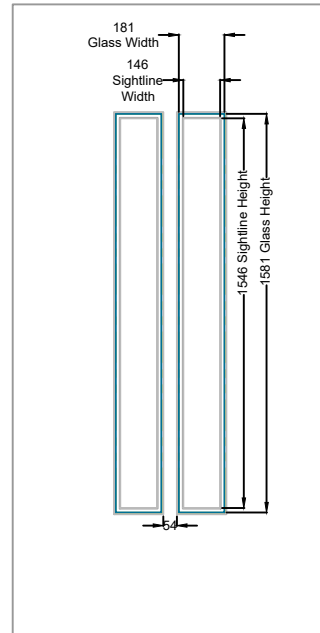
6



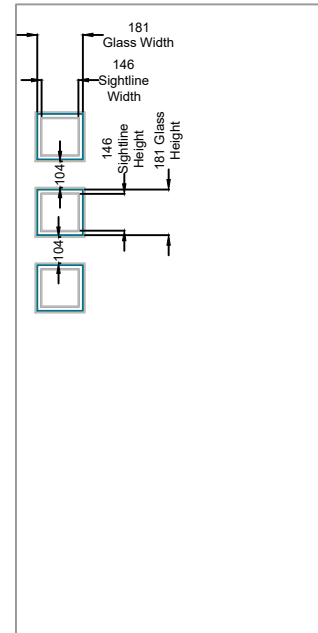
BLOFIELD



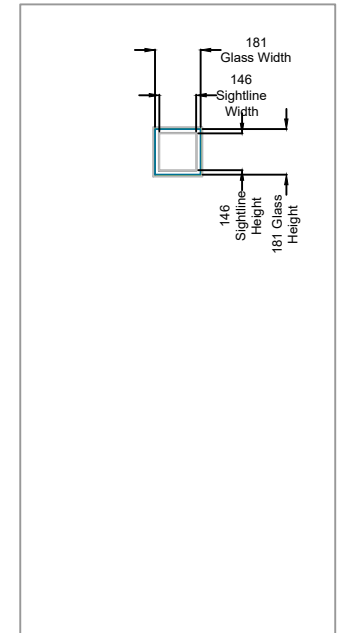
BRAMERTON



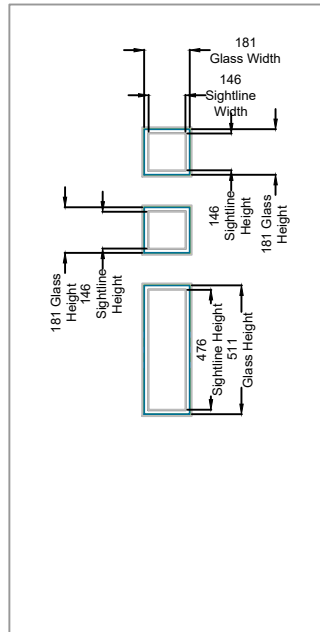
BRUNDELL



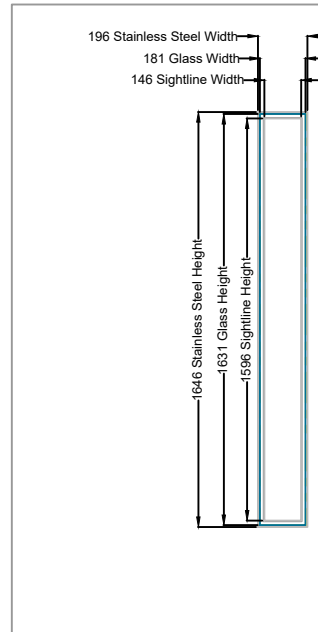
HINGHAM 1



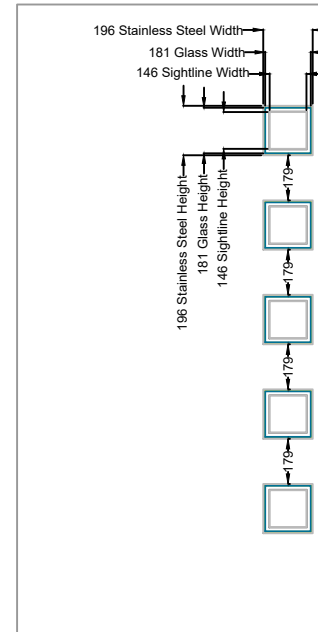
HINGHAM 3



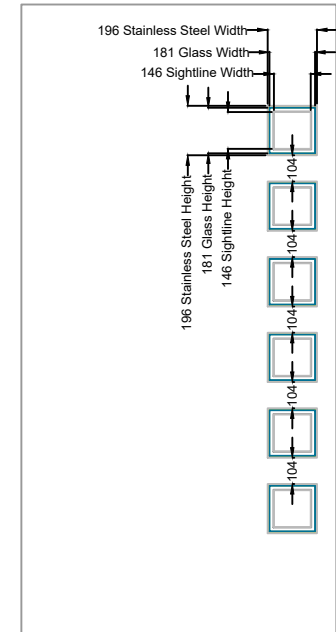
HOUGHTON 1



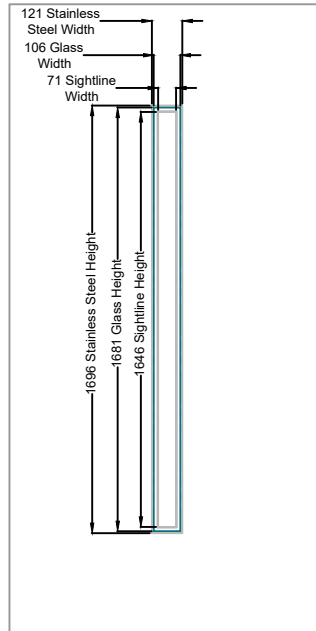
HOUGHTON 5



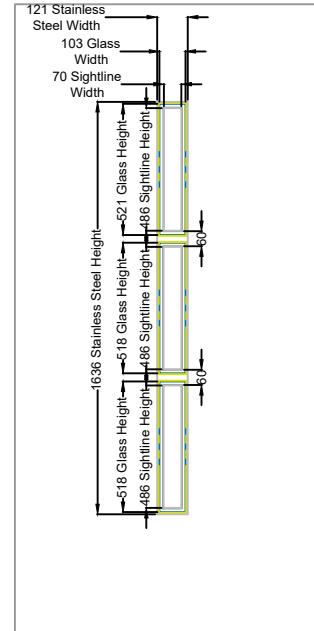
HOUGHTON 6



LEISTON 1



LEISTON 3



Bifold doors

Sliding doors

Heritage doors

Aluminium windows

Glass roofs

Front doors

Internal glass partitions

Commercial doors

SUNFLEX UK 

sunflexUK.co.uk