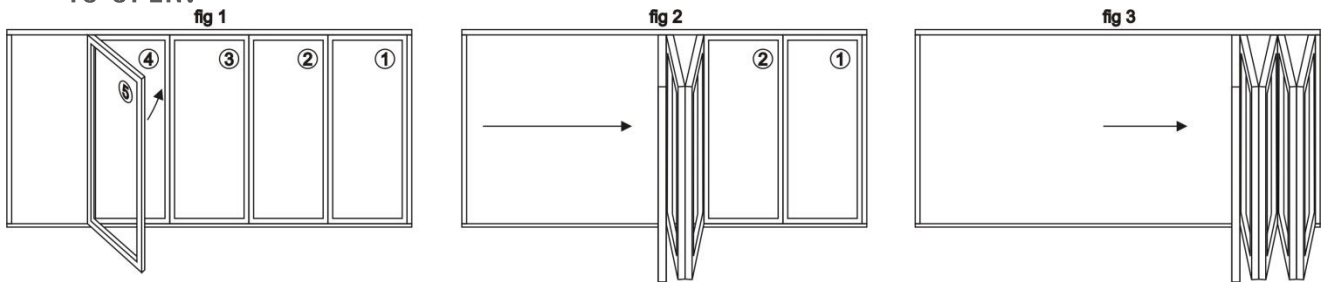


OPERATING INSTRUCTIONS

SF55c & SF75c timber clad aluminium bifold doors

TO OPEN AND CLOSE DOORS WITH ODD NUMBER OF PANELS

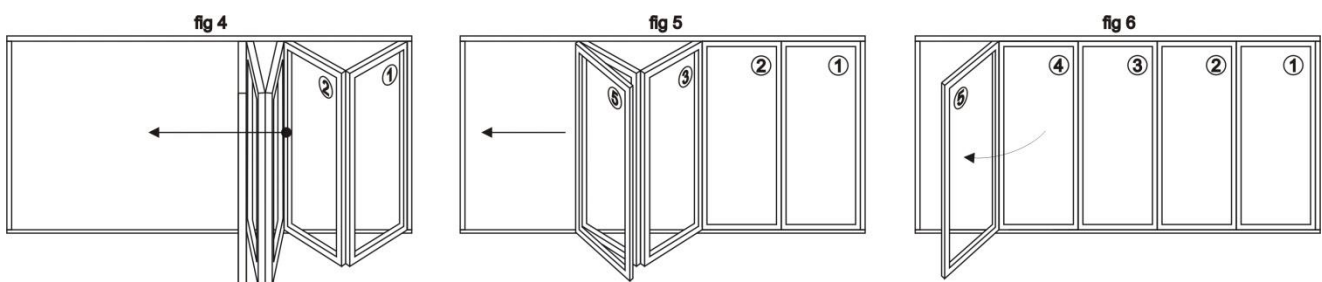
TO OPEN:



1. Unlock and release handle on the single opening panel 5 (*fig 1*) and open 180°, attaching to panel 4 using the panel catch. (N.B. it is essential that the single door panel is folded back onto panel 4 and fastened using the panel catch. It should remain attached whilst doors are in motion or stacked open.)
2. Release handles on panel 3 and panel 1 (ensuring that keys are removed to avoid any damage). Gradually fold and stack door panels to one side, always working from the opening side up to the hinge side (*fig 2*), ensuring each pair are opened fully before moving on to next pair.
3. Continue to fold and stack each consecutive pair of doors as above until fully open (*fig 3*).

WHEN KEY LOCKS ARE FITTED TO HANDLE POSITIONS **DO NOT** LEAVE KEYS IN THE LOCKS AFTER UNLOCKING AS THIS WILL CAUSE SEVERE DAMAGE WHEN DOORS ARE FULLY OPENED

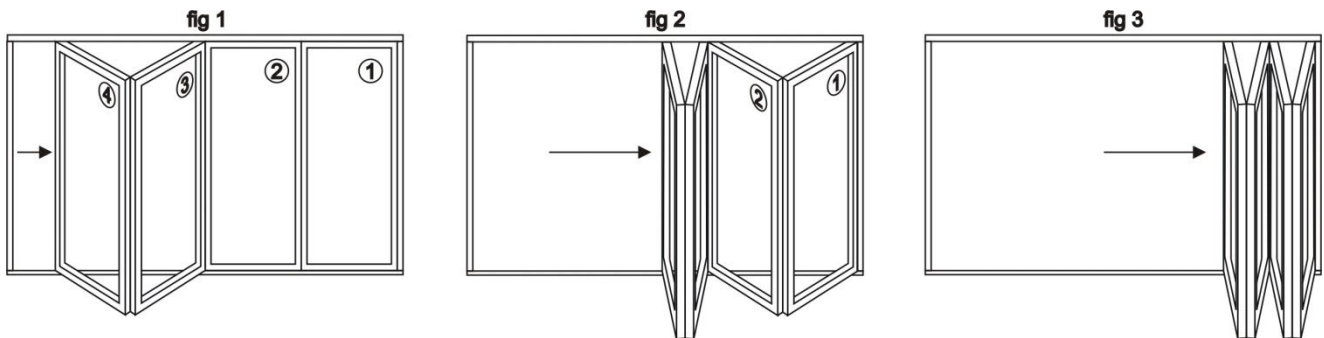
TO CLOSE:



1. Move panels 2, 3, 4 and 5 together from stacked position (*fig 4*), allowing panel 1 to follow behind.
2. Close and engage locking system with handle on panel 1 and then proceed to close panels 3 & 4 (*fig 5*).
3. Once panels 3 & 4 have been closed and locking system engaged using handle on panel 3, release panel 5 from panel catch and close (*fig 6*).

TO OPEN AND CLOSE DOORS WITH EVEN NUMBER OF PANELS

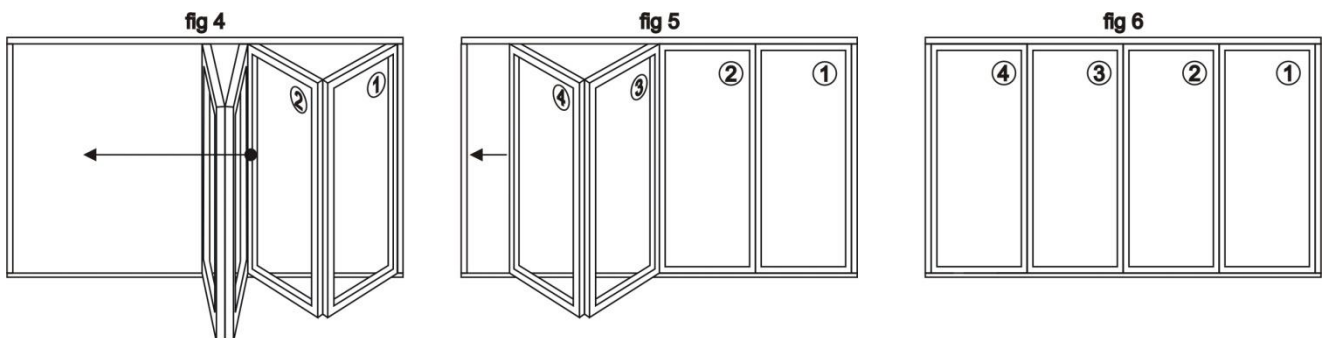
TO OPEN:



1. Unlock and release all handles (ensuring that the keys are removed to avoid any damage).
2. Fully open **panels 3 & 4** (*fig 1*).
3. Begin to open up **panels 1 & 2** (*fig 2*).
4. Applying gentle pressure to the track side of **panel 4** slide doors into fully open position (*fig 3*).

WHEN KEY LOCKS ARE FITTED TO HANDLE POSITIONS **DO NOT** LEAVE KEYS IN THE LOCKS AFTER UNLOCKING AS THIS WILL CAUSE SEVERE DAMAGE WHEN DOORS ARE FULLY OPENED

TO CLOSE:



1. Move **panels 2, 3 and 4** together from stacked position (*fig 4*), allowing **panel 1** to follow behind.
2. Close and engage locking system with handle on **panel 1** and then proceed to close **panels 3 & 4** (*fig 5*).
3. Close **panels 3 & 4** using handle on **panel 3**, (*fig 6*).