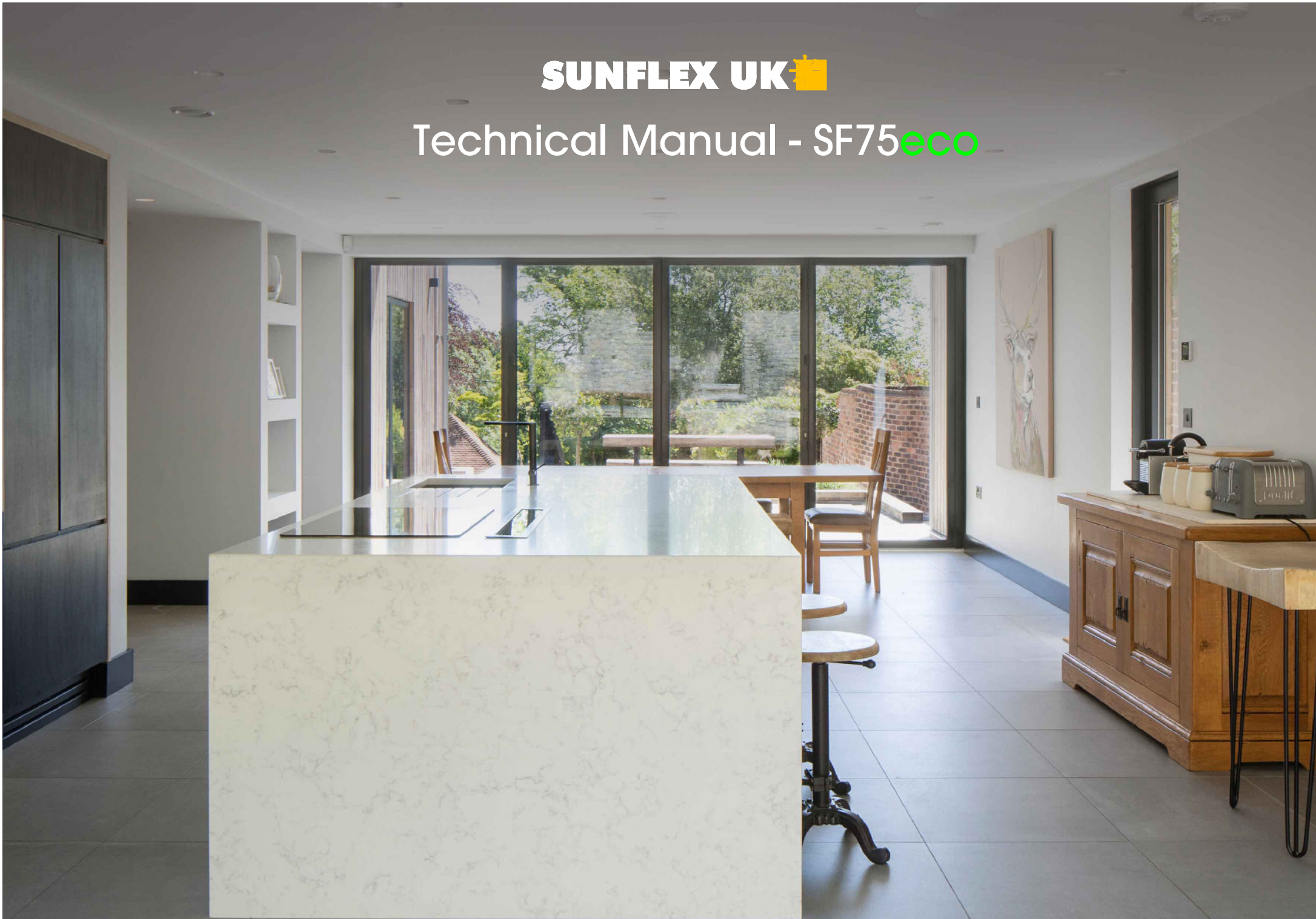


**SUNFLEX UK** 

Technical Manual - SF75eco



Standard Colours	
Frame	RAL 7016 Anthracite Grey in matt finish DB703 Charcoal Grey Metallic in textured finish RAL 9005 Jet Black in matt finish
Handles	Colour matched to door frame as standard
Hinges	Colour matched to door frame as standard

Panel Sizes	
Panel Width	Minimum = 500mm (configurations with odd no. of panels) or 900mm (configurations with even no. of panels) Maximum = 1200mm
Panel Height	Minimum = 1000mm Maximum = 3000mm

Thermal performance	
Glass thickness	28mm, 30mm or 48mm

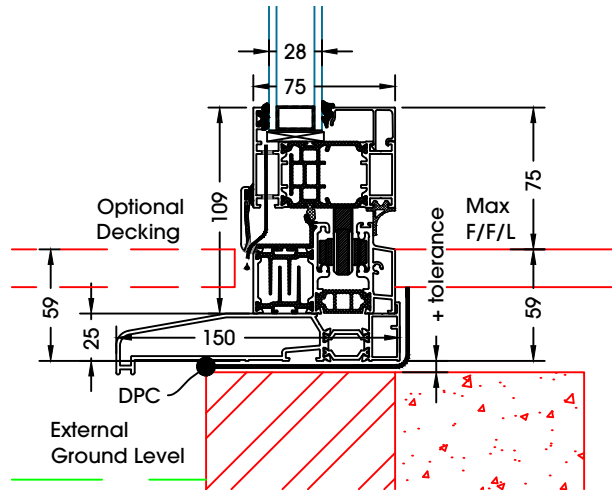
Centre Pane	Example of glass	Overall U-value
1.0 W/m <sup>2</sup> k Double glazed	4mm clear toughened x 20mm Argon x 4mm clear toughened soft coat	from 1.3 W/m <sup>2</sup> k
0.7 W/m <sup>2</sup> k Double glazed	4mm clear toughened x 20mm Argon x 4mm clear toughened CUIN Ultra	from 1.0 W/m <sup>2</sup> k
0.5 W/m <sup>2</sup> k Triple glazed	4mm clear toughened x 18mm Argon x 4mm clear toughened x 18mm Argon x 4mm clear toughened soft coat	from 0.8 W/m <sup>2</sup> k

Security	
Locking	Multipoint shoot-bolt and espagnolette locking system
Cylinder	ISEO™ F6 Extra S - SKG® 3-star rated cylinder
Accreditation	PAS 24:2016 certification Secure By Design™ award Requires P1a rated glass to adhere to Building Regulations Approved Document Q

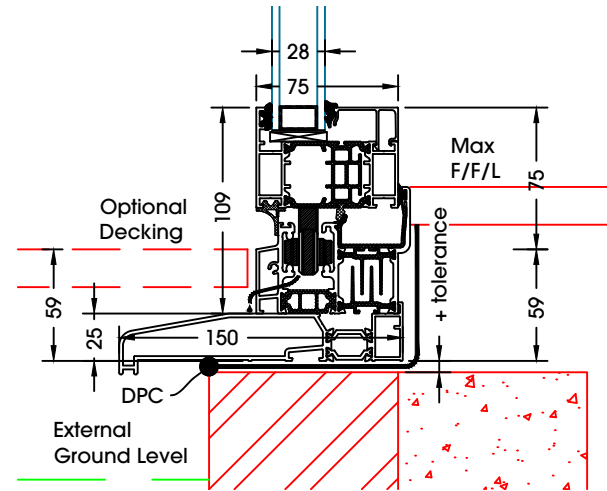
Weather performance (with weathered track)	
Water tightness	900 Pa (Class 9a) - BS EN 12208
Air permeability	600 Pa (Class 4) - BS EN 12207
Wind resistance	2000 Pa (Class 5b) - BS EN 12210

Max panel sizes with max m <sup>2</sup> glazing weight (including outer frame)								
H	W	600	700	800	900	1000	1100	1200
	3000		40kg	30kg	25kg	25kg		
2900		40kg	30kg	30kg	25kg			
2800		40kg	35kg	30kg	25kg	25kg		
2700		40kg	35kg	30kg	25kg	25kg		
2600		40kg	35kg	30kg	25kg	25kg	25kg	
2500		45kg	40kg	35kg	30kg	25kg	25kg	
2400		45kg	40kg	35kg	30kg	30kg	25kg	
2300		45kg	40kg	35kg	30kg	30kg	25kg	25kg
2200		45kg	45kg	35kg	35kg	30kg	25kg	25kg
2100		45kg	45kg	40kg	35kg	30kg	25kg	25kg
2000		45kg	45kg	40kg	35kg	35kg	25kg	25kg
1900		45kg	45kg	45kg	40kg	35kg	25kg	25kg

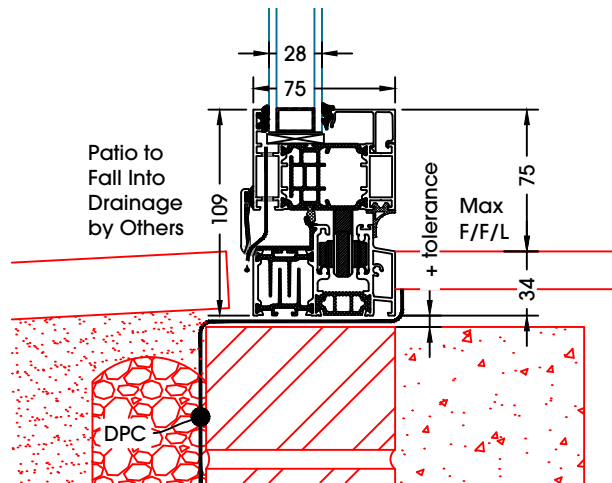
Door sets up to 3.6 metres high are possible, please contact info@sunflex.co.uk for further information



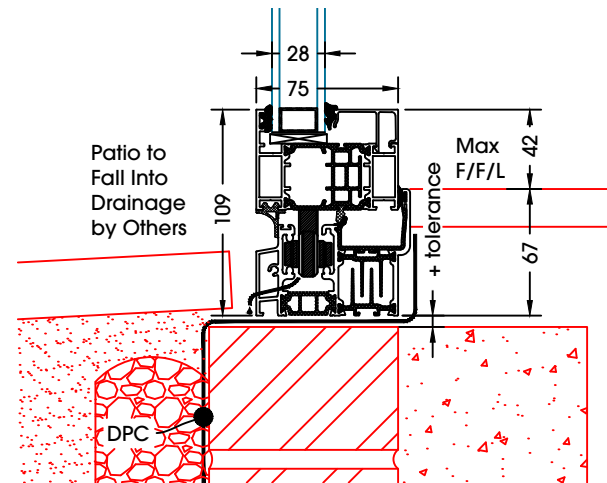
SF75eco  
Bottom Weathered Track  
Open In With Sill



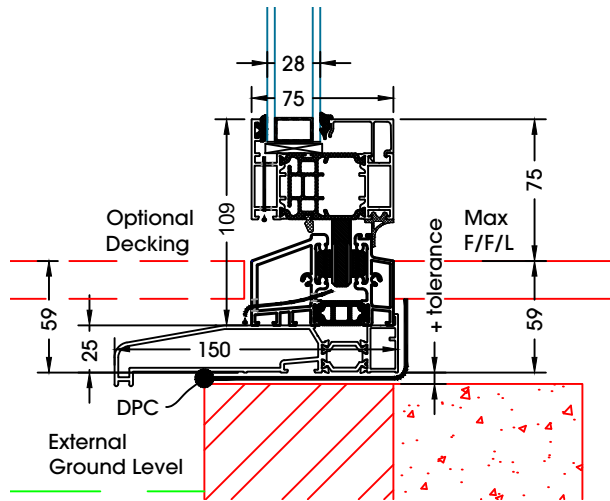
SF75eco  
Bottom Weathered Track  
Open Out With Sill



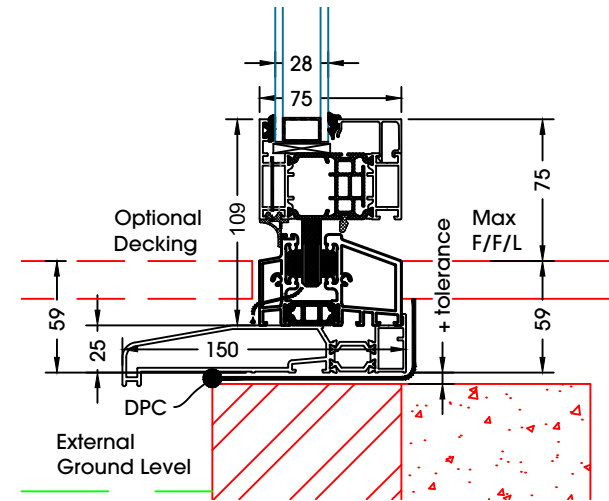
SF75eco  
Bottom Weathered Track  
Open In No Sill



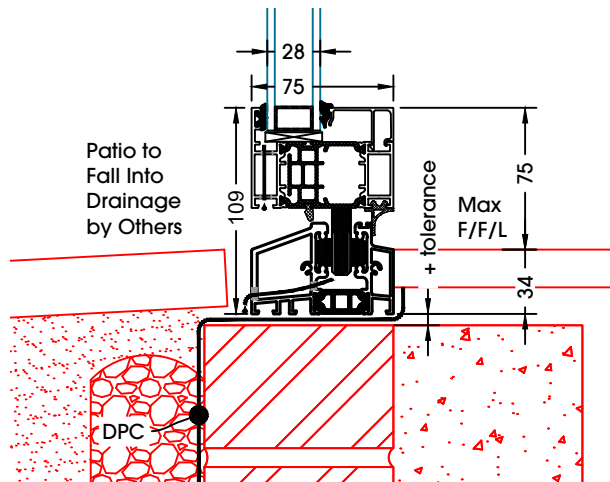
SF75eco  
Bottom Weathered Track  
Open Out No Sill



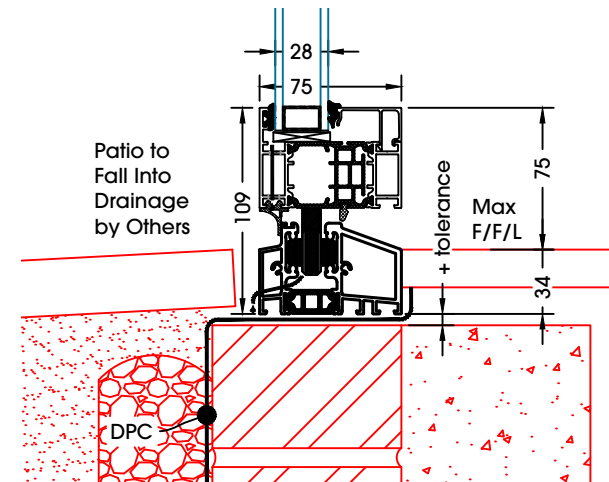
SF75eco  
Bottom Low Level Track  
Open In With Sill



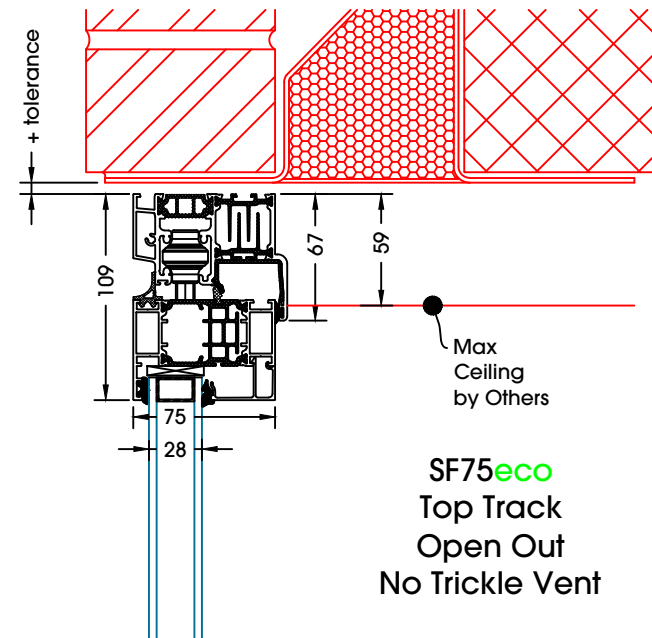
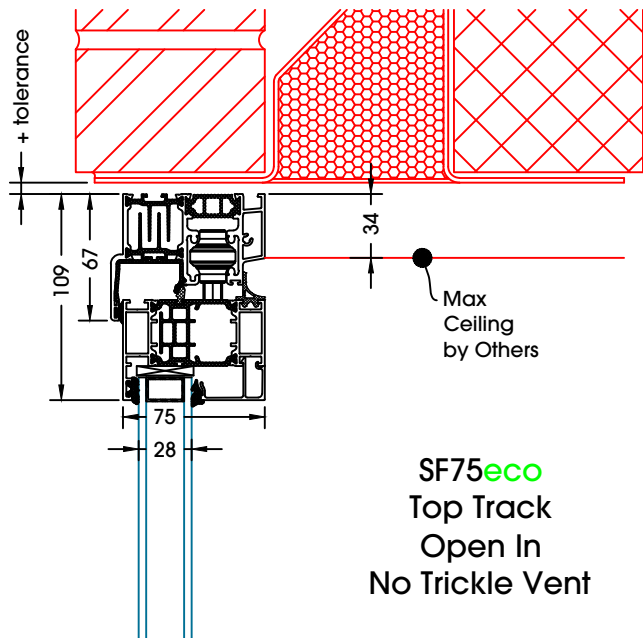
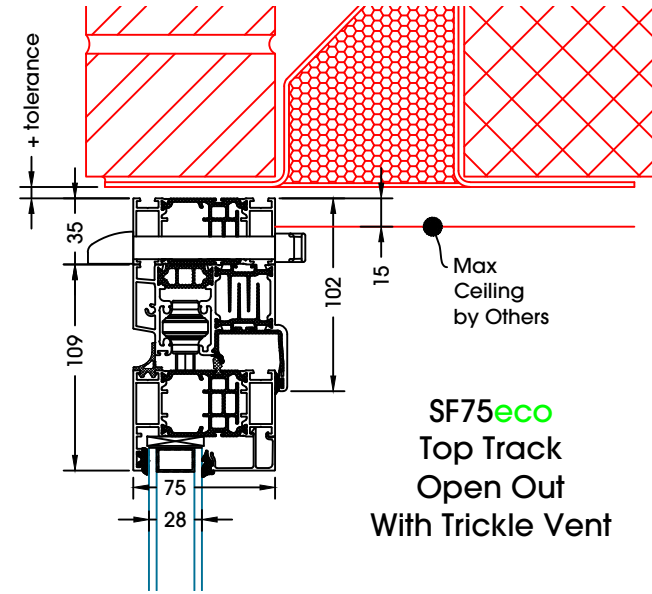
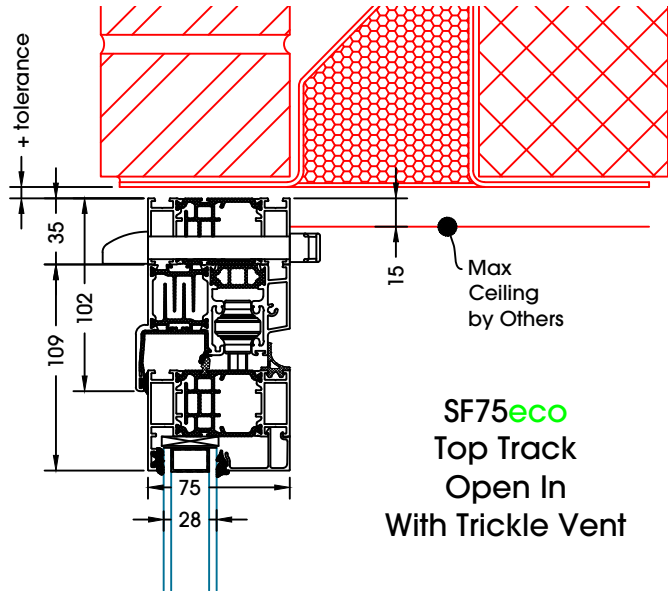
SF75eco  
Bottom Low Level Track  
Open Out With Sill

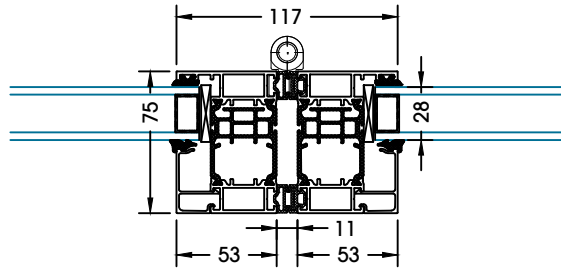


SF75eco  
Bottom Low Level Track  
Open In No Sill

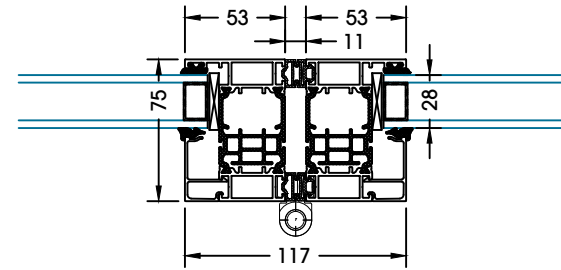


SF75eco  
Bottom Low Level Track  
Open Out No Sill

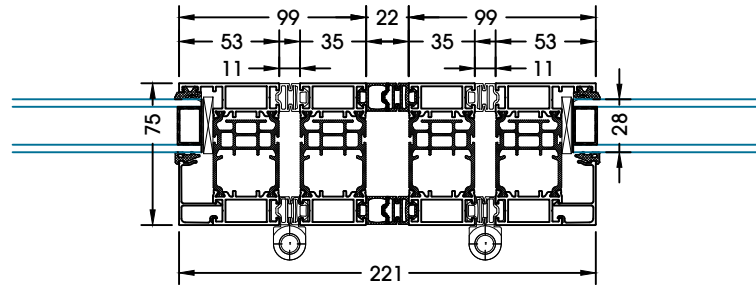




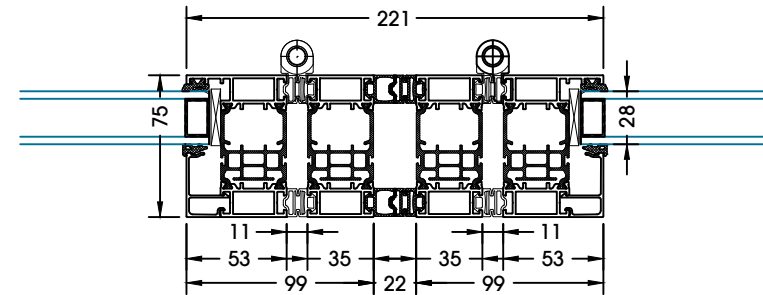
SF75eco  
Panel to Panel  
Open In



SF75eco  
Panel to Panel  
Open Out

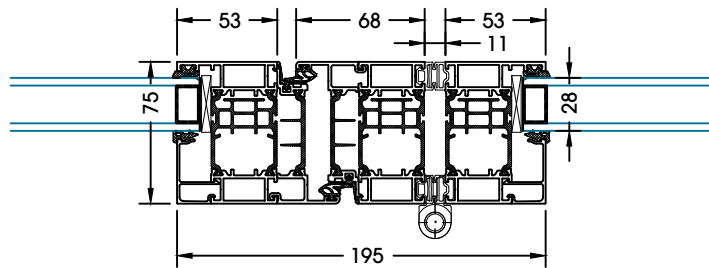


SF75eco  
Meeting Style  
Even to Even Panels  
Open In

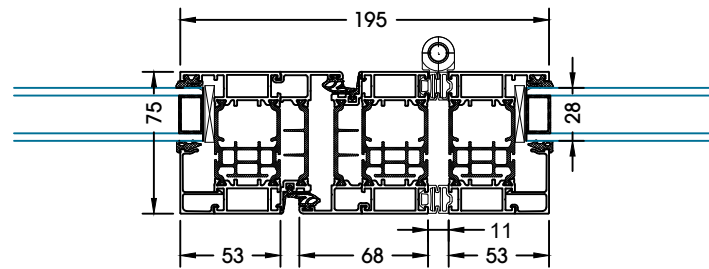


SF75eco  
Meeting Style  
Even to Even Panels  
Open Out

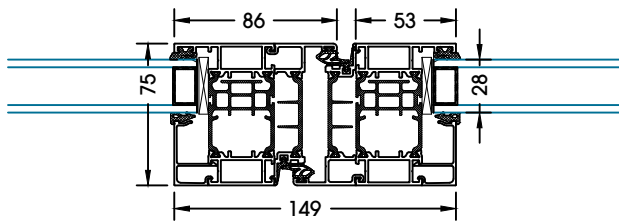




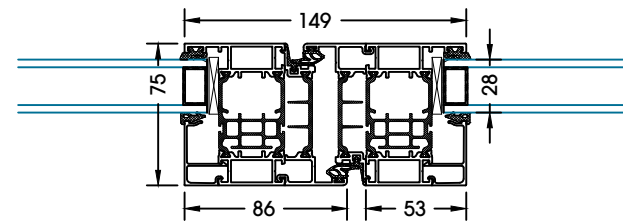
SF75eco  
Meeting Style  
Odd to Even Panels  
Open In



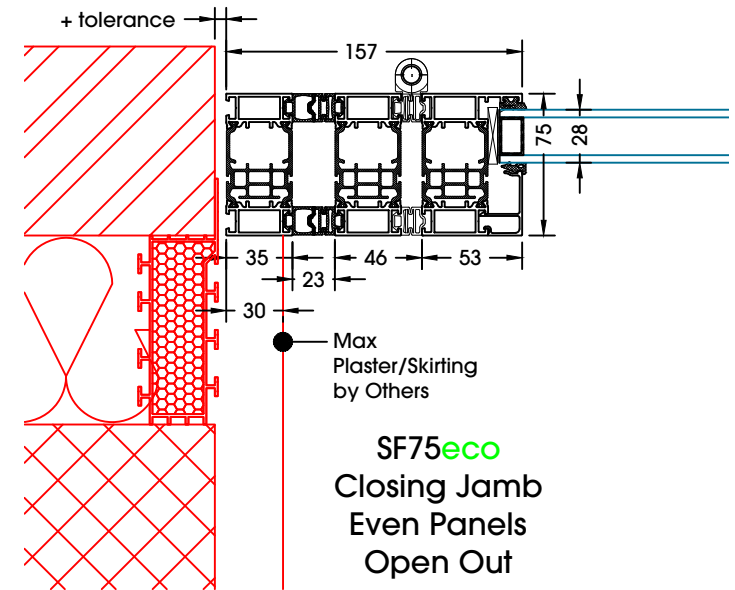
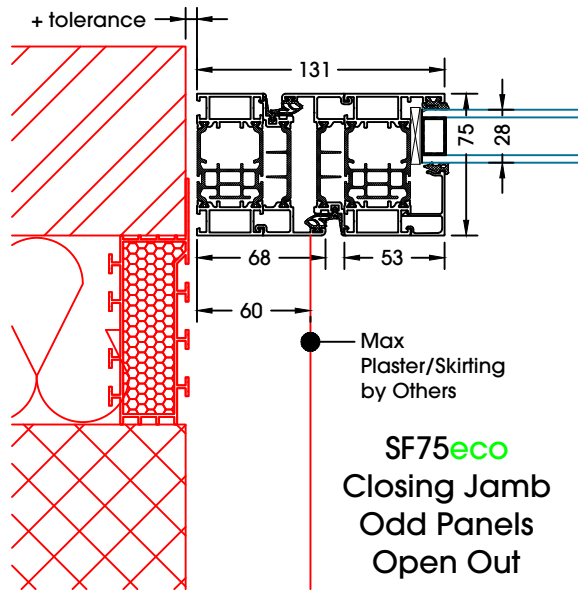
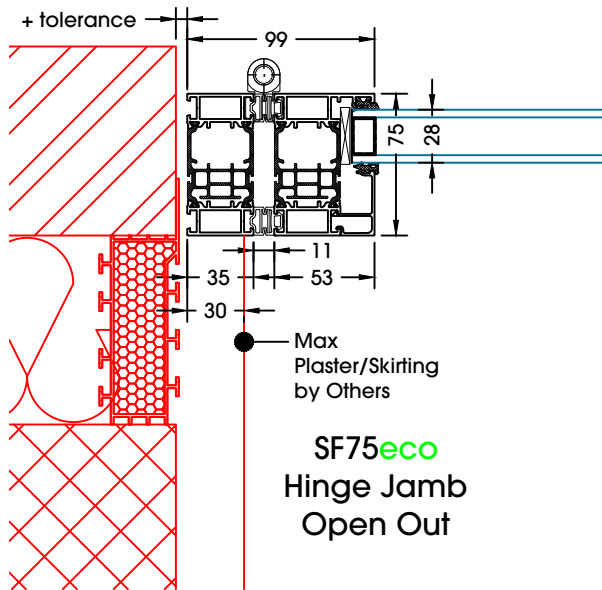
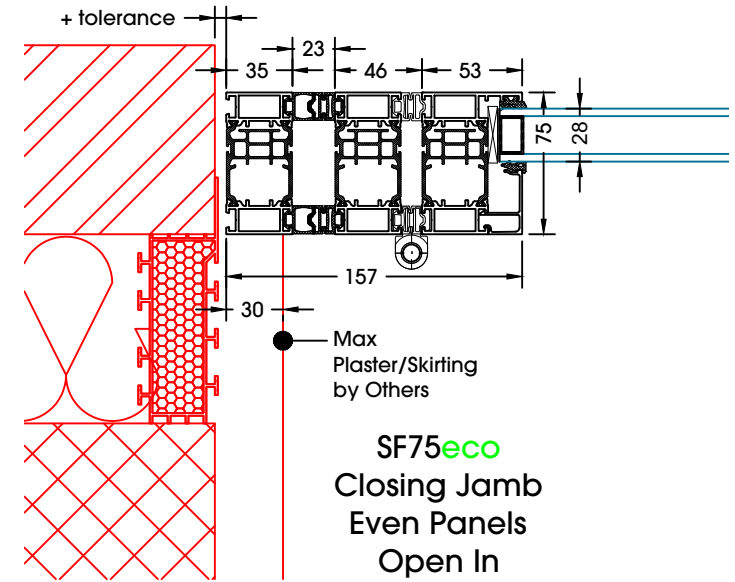
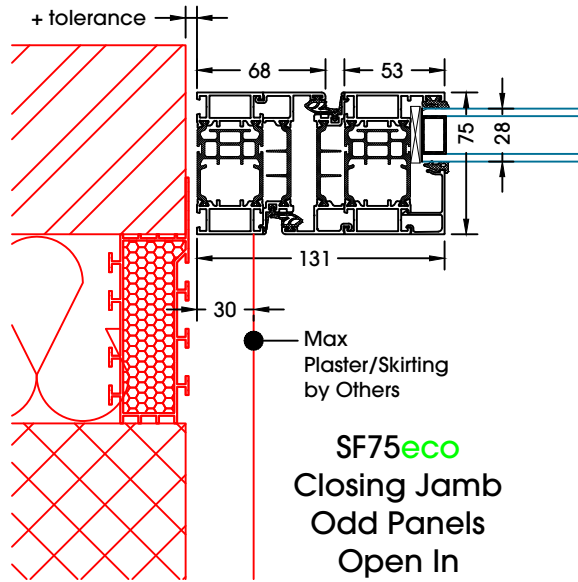
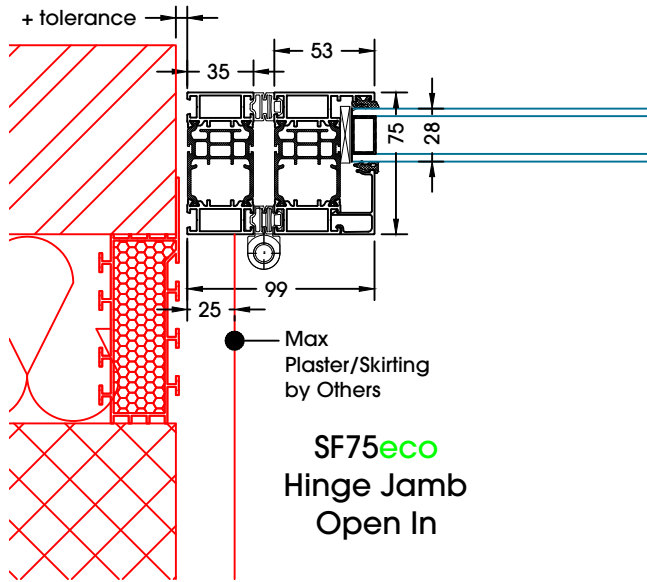
SF75eco  
Meeting Style  
Odd to Even Panels  
Open Out



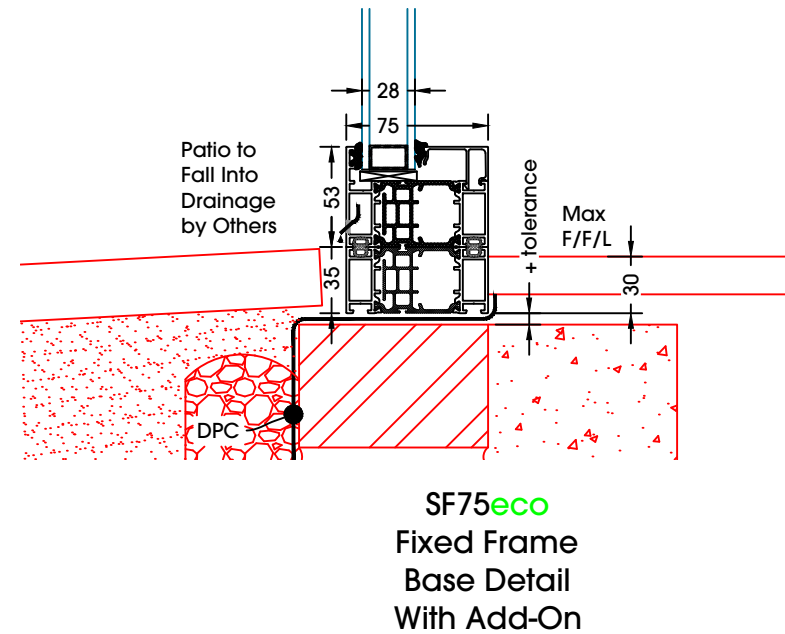
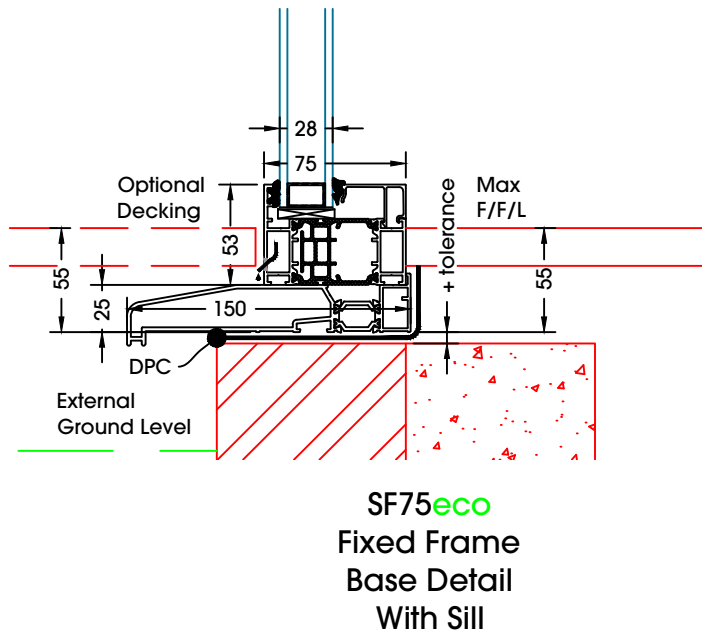
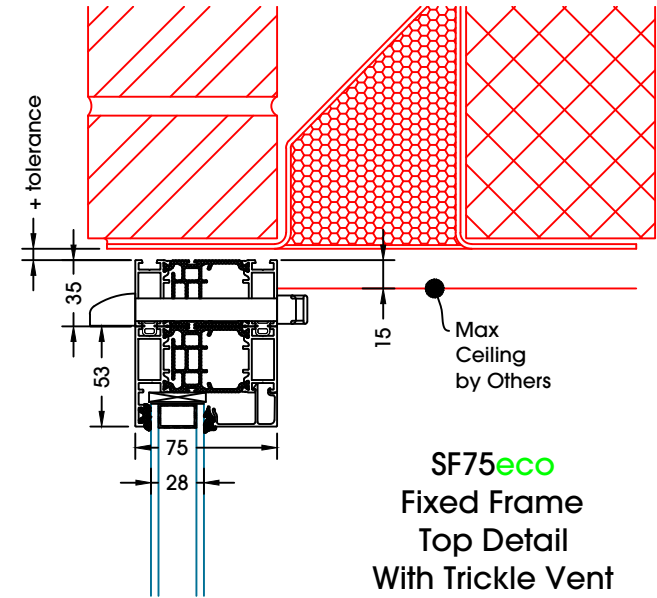
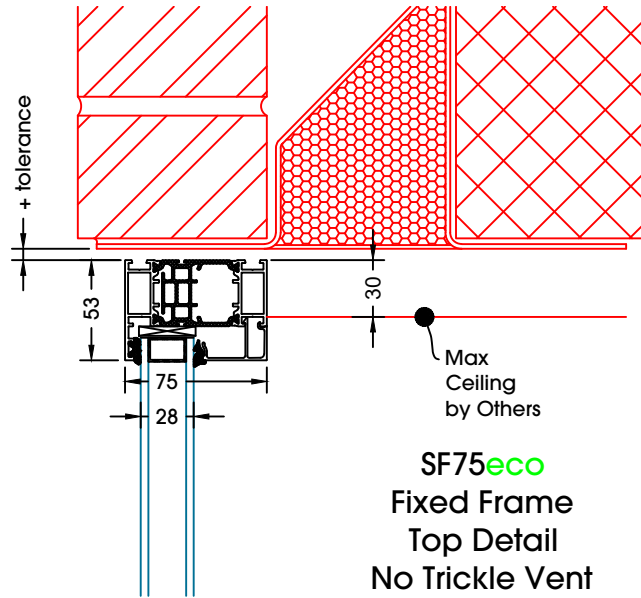
SF75eco  
Meeting Style  
Odd to Odd Panels  
Open In

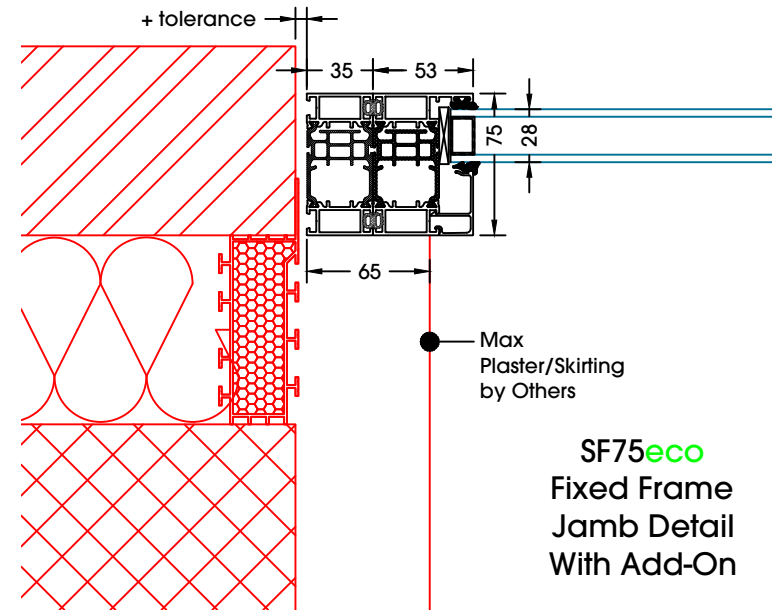
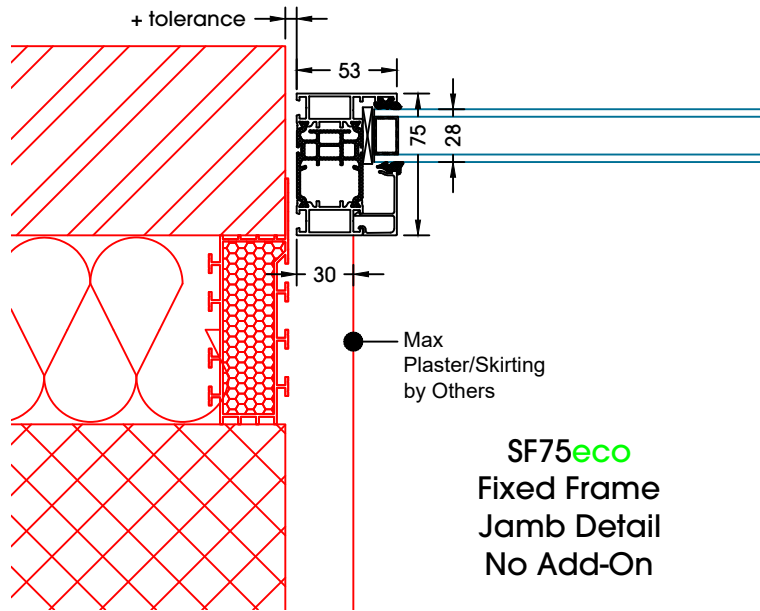


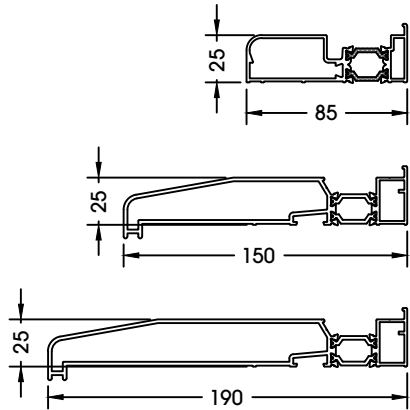
SF75eco  
Meeting Style  
Odd to Odd Panels  
Open Out



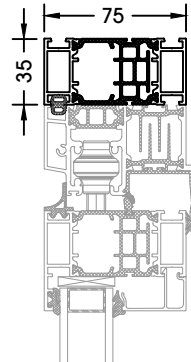




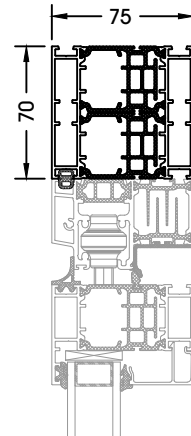




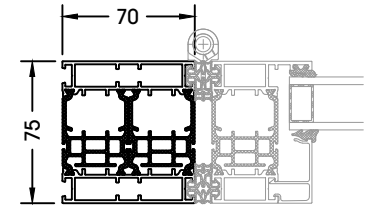
SF75eco  
Sill Options



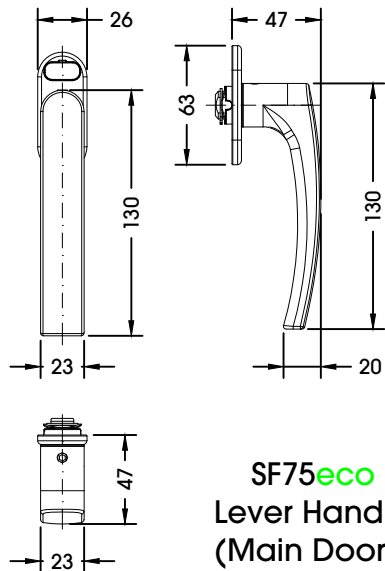
SF75eco  
35mm Add-On Option



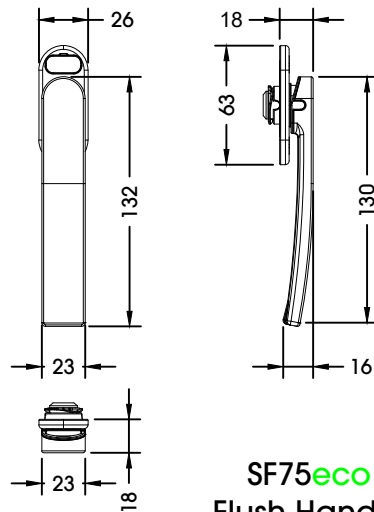
SF75eco  
70mm Add-On Option



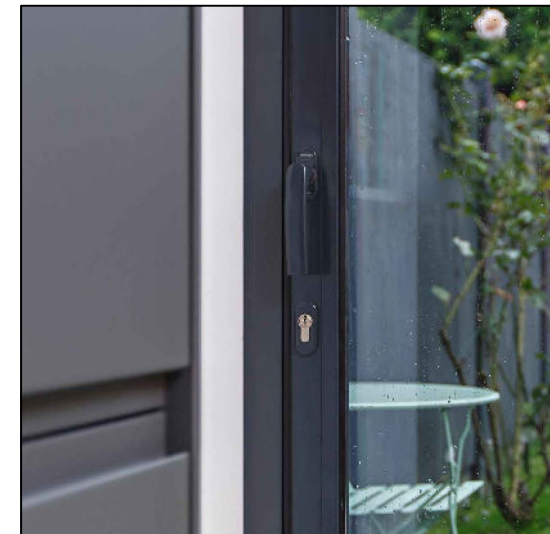
SF75eco  
70mm Jamb Option

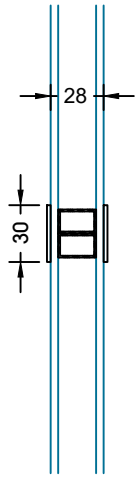


SF75eco  
Lever Handle  
(Main Doors)

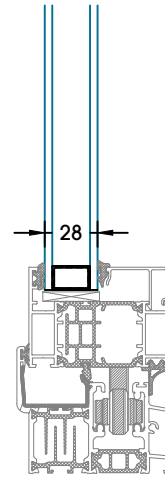


SF75eco  
Flush Handle  
(Intermediate Doors)

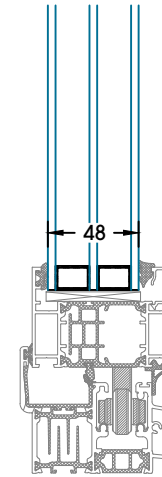




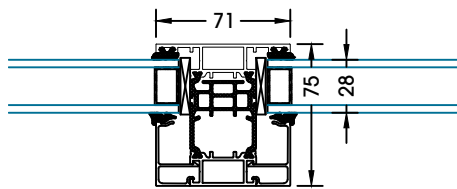
SF75eco  
Plant-On Bar Detail



SF75eco  
28mm Double  
Glazed Unit



SF75eco  
48mm Triple  
Glazed Unit



SF75eco  
Mullion Detail

Bifold doors

Sliding doors

Heritage doors

Aluminium windows

Glass roofs

Front doors

Internal glass partitions

Commercial doors

**SUNFLEX UK** 

[sunflexUK.co.uk](http://sunflexUK.co.uk)