

OPEN OFFICE

188.00 m²

1372

B.06.011
MALE WC
5.20 m²

B.06.009
KITCHENET
4.00 m²

Profile system

- All-glass sliding system (SF20)
- Sliding system with vertical profiles (SF22)
- Bottom loaded/running construction
- Option of flush or weathered bottom track
- The flush bottom track is particularly suitable for use in „barrier-free dwellings“ according to DIN 18 025
- Height variations of up to 20 mm can be compensated

Fittings

- All fittings are concealed within the profiles
- Low-maintenance, non-corroding and failsafe fittings
- Integrated followers automatically move the adjacent panels when closing the sliding panel
- Various handles and C-pull handles available for inside and outside
- Inside and/or outside locking possible
- Optionally with inside or outside lever lock

Tests

- Airborne sound insulation to $R_w = 17$ dB according to DIN EN ISO 10140-2
- Measurement of deflection class 4 according to DIN EN 12211/12210 (10 mm glass)
- Repeated pressure/wind suction class 4 according to DIN EN 12211/12210 (10 mm glass)
- Safety test class 4 according to DIN EN 12211/12210 (10 mm glass)

Running assembly

- Low-noise, ball bearing rollers with wear-resistant and low-maintenance running surfaces
- The carriages feature a height adjustment of up to 5 mm
- The load capacity of the carriages is 80 kg/panel (maximum panel weight)

Sealing and ventilation

- Sliding panels overlap vertically by approximately 25 mm
- Gap of approximately 8 mm between glass panels (when 10 mm glazing is used)
- Gap sealing via aluminium profile with brush gaskets
- Brush gaskets are fitted horizontally at the top and at the vertical frame on the inside and outside

Glazing

- 8 or 10 mm tempered safety glass panes (ESG-H)

Drainage

- Inclined floor construction and length-optimized webs
- End caps for lateral sealing of the bottom tracks



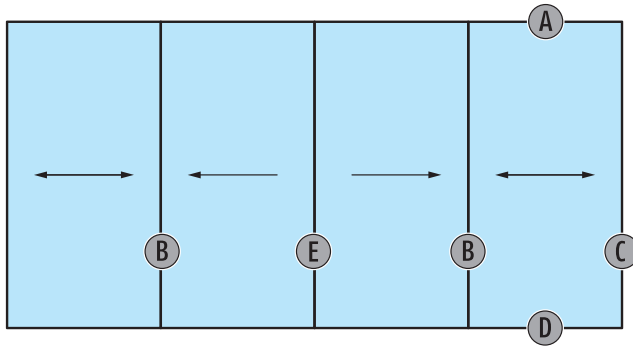
tested SUNFLEX quality



Test Report No. 40-30/13

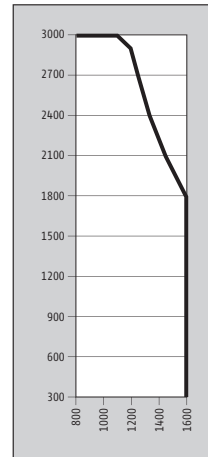


Test Report 1387-001-12



Details at even panel partitioning in two directions

Panel size diagram

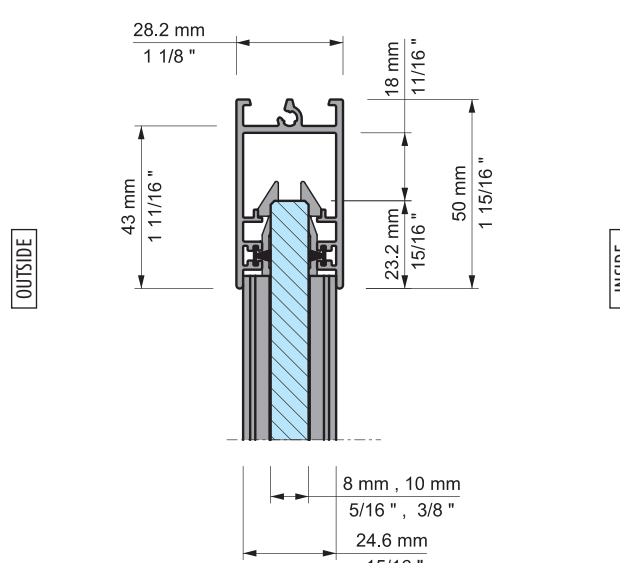
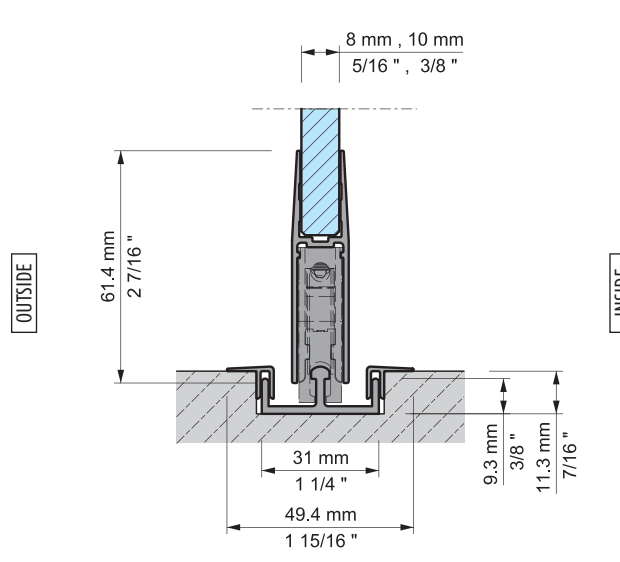
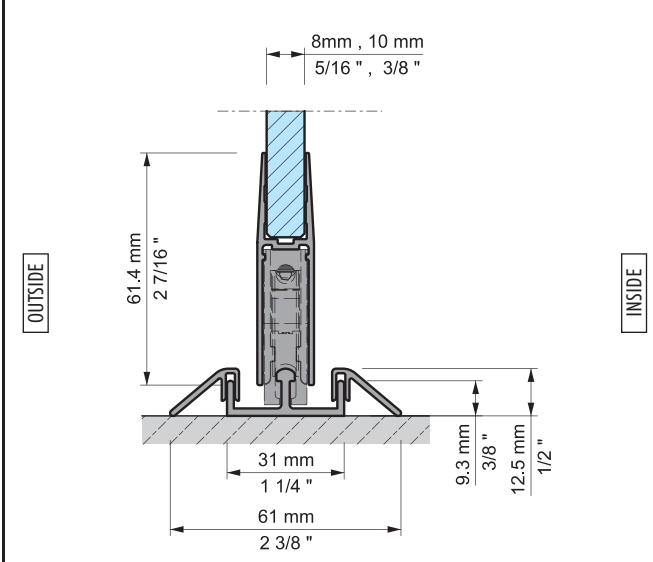


* For panel sizes exceeding 2600 mm – special inquiry

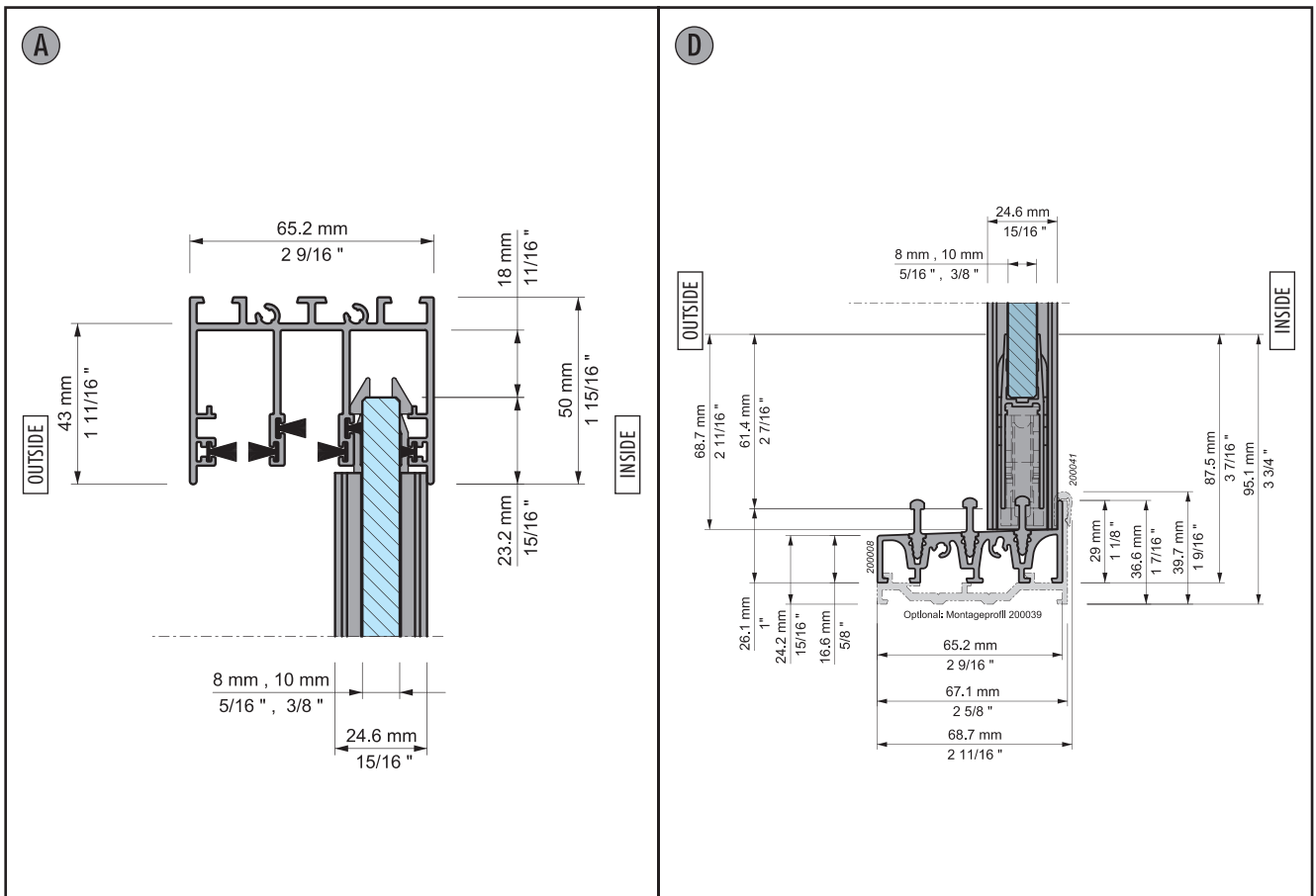
* Basis glazing 10 mm (25 kg/m²)

Ref.	Section	Description	Page
A	SF20-001	Vertical-Section, top track / 1-track	5
D	SF20-013	Vertical-Section, bottom track / 1-track / recessed	5
D	SF20-014	Vertical-Section, bottom track / 1-track	5
A	SF20-003	Vertical-Section, top track / 2-track	6
D	SF20-004	Vertical-Section, bottom track / 2-track / mounting profile 200038 (option)	6
D	SF20-015	Vertical-Section, bottom track / 2-track / recessed	6
D	SF20-016	Vertical-Section, bottom track / 2-track	6
A	SF20-005	Vertical-Section, top track / 3-track	7
D	SF20-006	Vertical-Section, bottom track / 3-track / mounting profile 200039 (option)	7
D	SF20-017	Vertical-Section, bottom track / 3-track / recessed	7
D	SF20-018	Vertical-Section, bottom track / 3-track	7
A	SF20-007	Vertical-Section, top track / 4-track	8
D	SF20-008	Vertical-Section, bottom track / 4-track / mounting profile 200039 (option)	8
D	SF20-019	Vertical-Section, bottom track / 4-track / recessed	8
D	SF20-020	Vertical-Section, bottom track / 4-track	8
A	SF20-009	Vertical-Section, top track / 5-track	9
D	SF20-010	Vertical-Section, bottom track / 5-track / mounting profile 200040 (option)	9
D	SF20-021	Vertical-Section, bottom track / 5-track / recessed	9
D	SF20-022	Vertical-Section, bottom track / 5-track	9
A	SF20-011	Vertical-Section, top track / 6-track	10
D	SF20-012	Vertical-Section, bottom track / 6-track / mounting profile 200040 (option)	10
D	SF20-023	Vertical-Section, bottom track / 6-track / recessed	10
D	SF20-024	Vertical-Section, bottom track / 6-track / recessed	10
A	SF20-030	Vertical-Section, bottom track with skylight and reinforcement	11
D	SF20-031	Vertical-Section, top track with balustrade connection and reinforcement	11
C	SF20-102	Horizontal-Section, side wall fitting standard design / 2-track	11
C	SF20-123	Horizontal-Section, side wall fitting with brush gasket / 2-track	11
C	SF20-103	Horizontal-Section, side wall fitting with connection profil / 2-track	12
B	SF20-113	Horizontal-Section, panel-panel / 2-track	12
E	SF20-124	Horizontal-Section, panel-panel center with brush gasket / 2-track	12
E	SF20-114	Horizontal-Section, panel-panel center / 2-track	12
--	SF20-150	Horizontal-Section, corner-panel / outside	13
--	SF20-151	Horizontal-Section, corner-panel / inside	13

Ref.	Section	Description	Page
C	SF22-102g	Horizontal-Section, side wall fitting standard design / 2-track	13
C	SF22-102gl	Horizontal-Section, side wall with handle strip / 2-track	13
C	SF22-103g	Horizontal-Section, side wall fitting with connection profil framed / 2-track	14
C	SF22-103gl	Horizontal-Section, side wall with handle strip / 2-track	14
B	SF22-113g	Horizontal-Section, panel-panel framed / 2-track	14
E	SF22-114g	Horizontal-Section, panel-panel center framed / 2-track	14
E	SF22-114gl	Horizontal-Section, panel-panel center framed with handle strip / 2-track	15
--	SF22-133g	Horizontal-Section, vertical rung center framed / 2-track	15

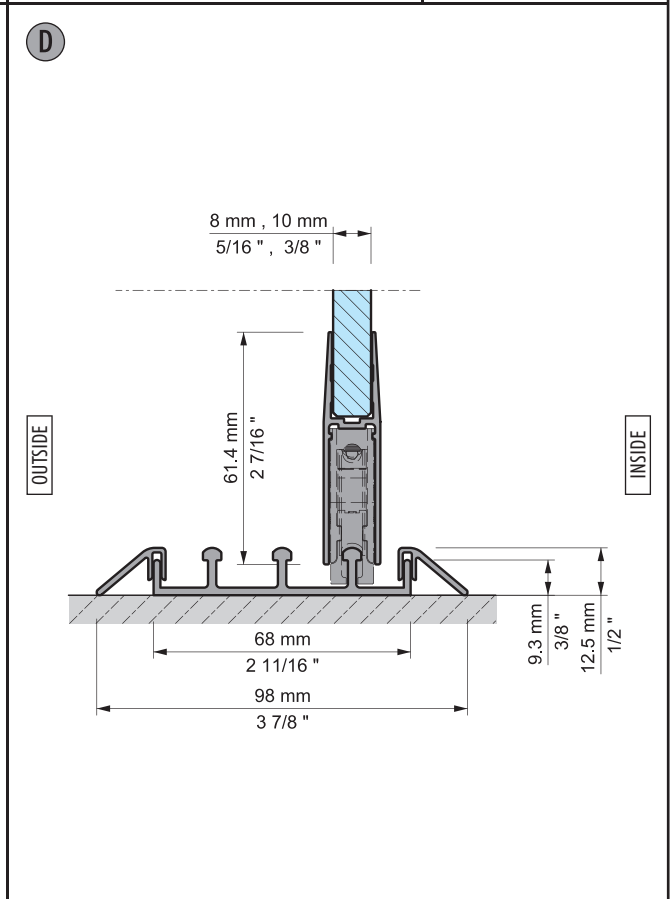
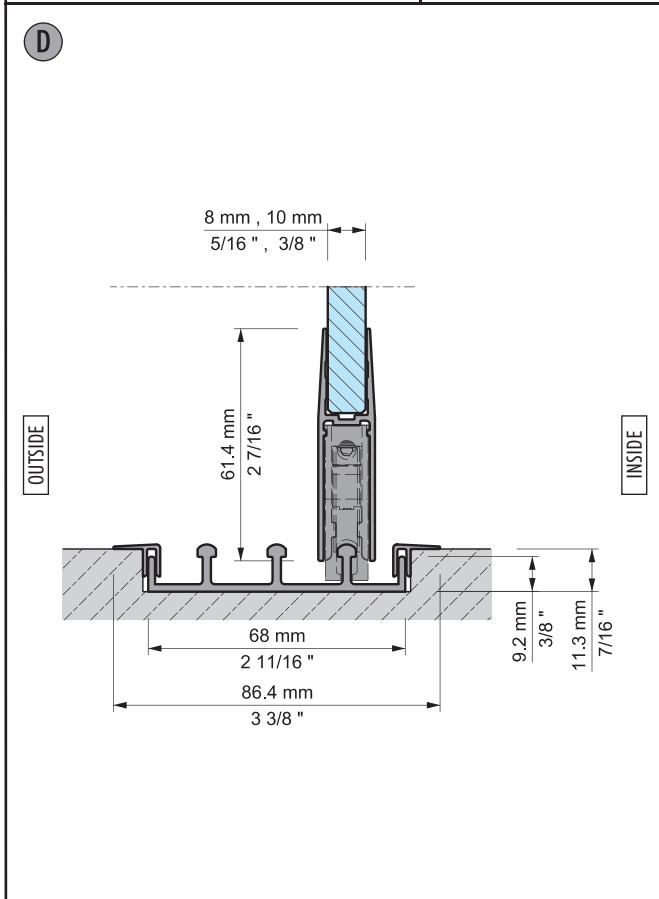
<p>A</p>  <p>OUTSIDE</p> <p>INSIDE</p>			
<p>Description: Vertical-Section, top track / 2-track</p>	<p>System: SF20 Detail-No.: SF20-001</p>		
<p>D</p>  <p>OUTSIDE</p> <p>INSIDE</p>	<p>D</p>  <p>OUTSIDE</p> <p>INSIDE</p>		
<p>Description: Vertical-Section, bottom track / 2-track recessed</p>	<p>System: SF20 Detail-No.: SF20-013</p>	<p>Description: Vertical-Section, bottom track / 2-track</p>	<p>System: SF20 Detail-No.: SF20-014</p>

<p>A</p>	<p>D</p>		
<p>Description: Vertical-Section, top track / 2-track</p>	<p>System: SF20 Detail-No.: SF20-003</p>	<p>Description: Vertical-Section, bottom track / 2-track mounting profile 200038 (option)</p>	<p>System: SF20 Detail-No.: SF20-004</p>
<p>D</p>	<p>D</p>		
<p>Description: Vertical-Section, bottom track / 2-track recessed</p>	<p>System: SF20 Detail-No.: SF20-015</p>	<p>Description: Vertical-Section, bottom track / 2-track</p>	<p>System: SF20 Detail-No.: SF20-016</p>



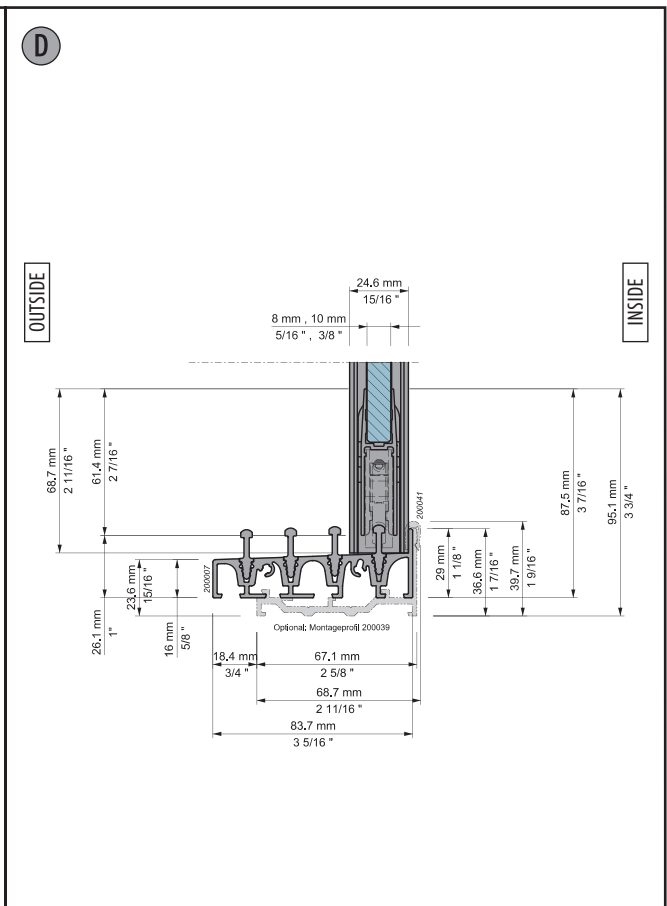
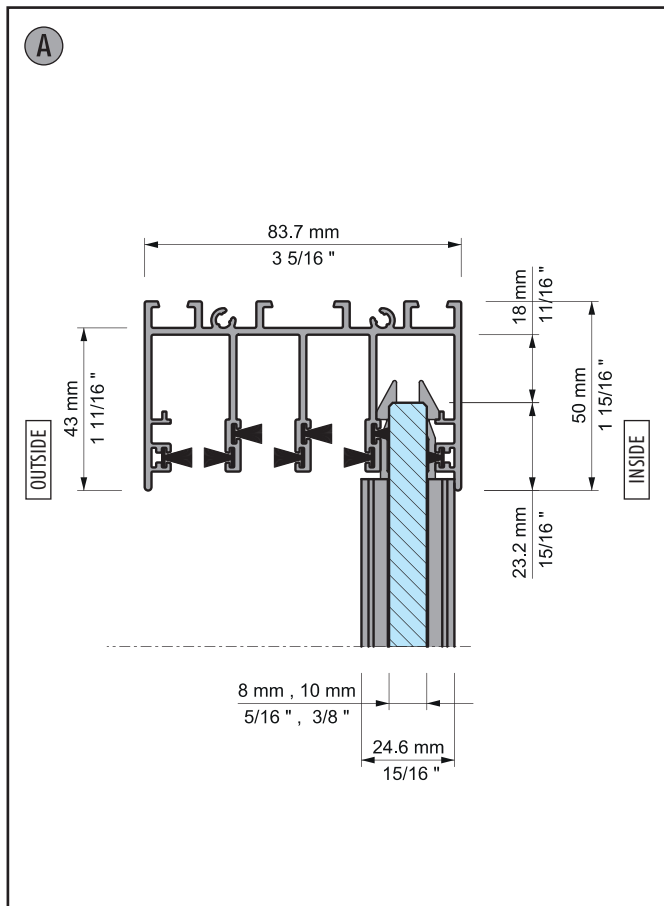
Description: Vertical-Section, top track / 3-track
System: SF20
Detail-No.: SF20-005

Description: Vertical-Section, bottom track / 3-track mounting profile 200039 (option)
System: SF20
Detail-No.: SF20-006



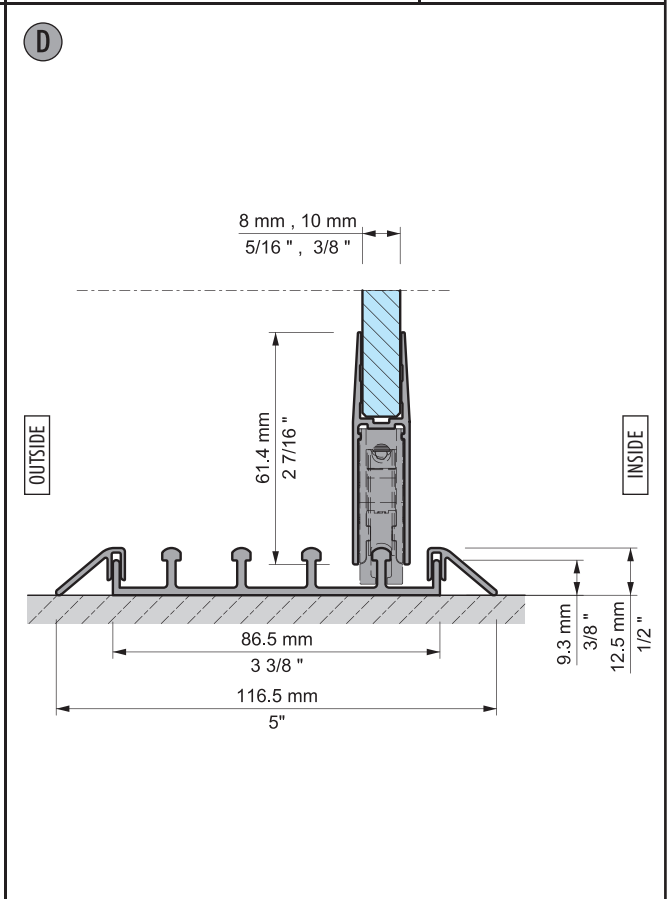
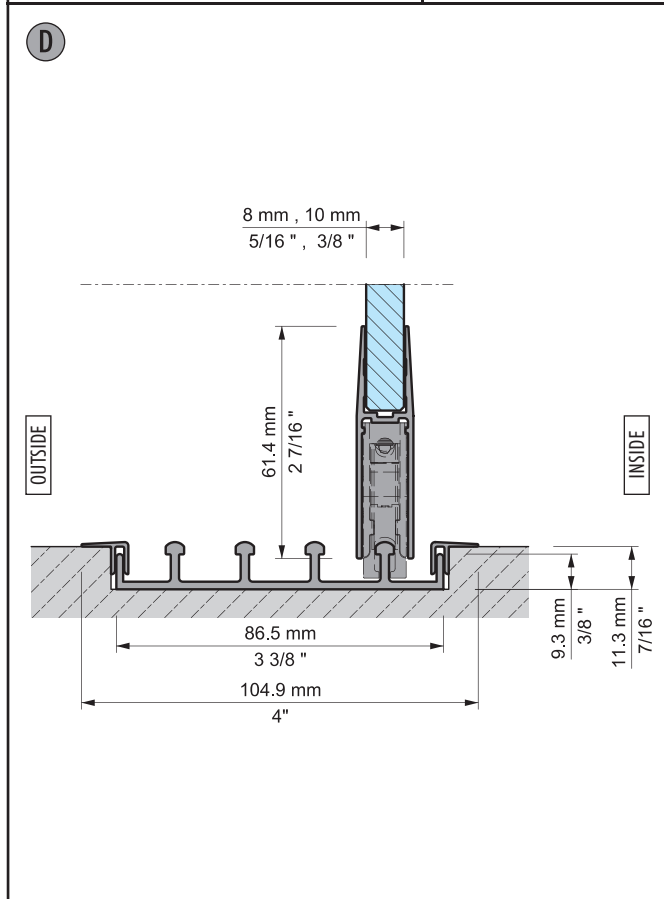
Description: Vertical-Section, bottom track / 3-track recessed
System: SF20
Detail-No.: SF20-017

Description: Vertical-Section, bottom track / 3-track
System: SF20
Detail-No.: SF20-018



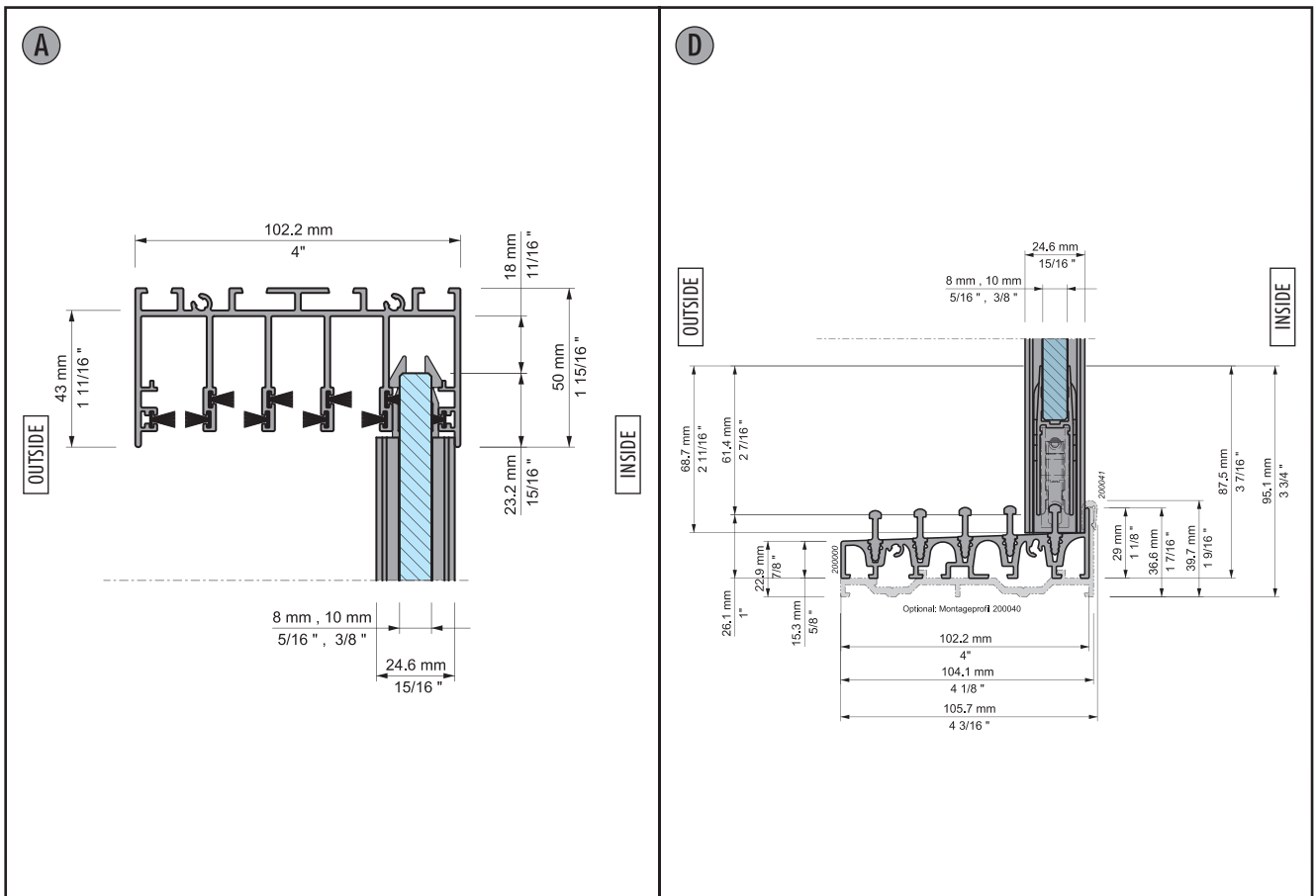
Description: Vertical-Section top track / 4-track
 System: SF20
 Detail-No.: SF20-007

Description: Vertical-Section, bottom track / 4-track mounting profile 200039 (option)
 System: SF20
 Detail-No.: SF20-008



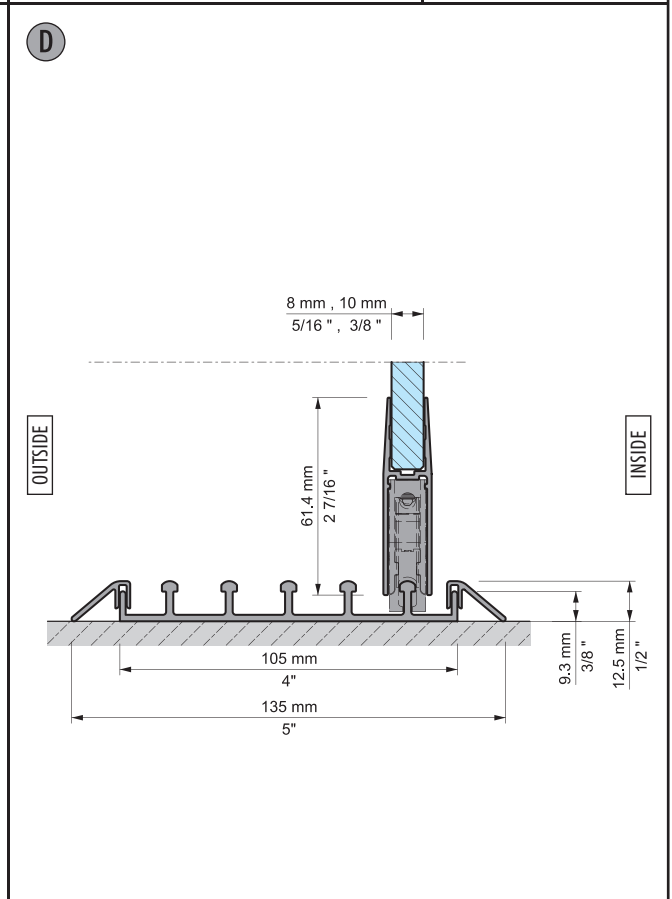
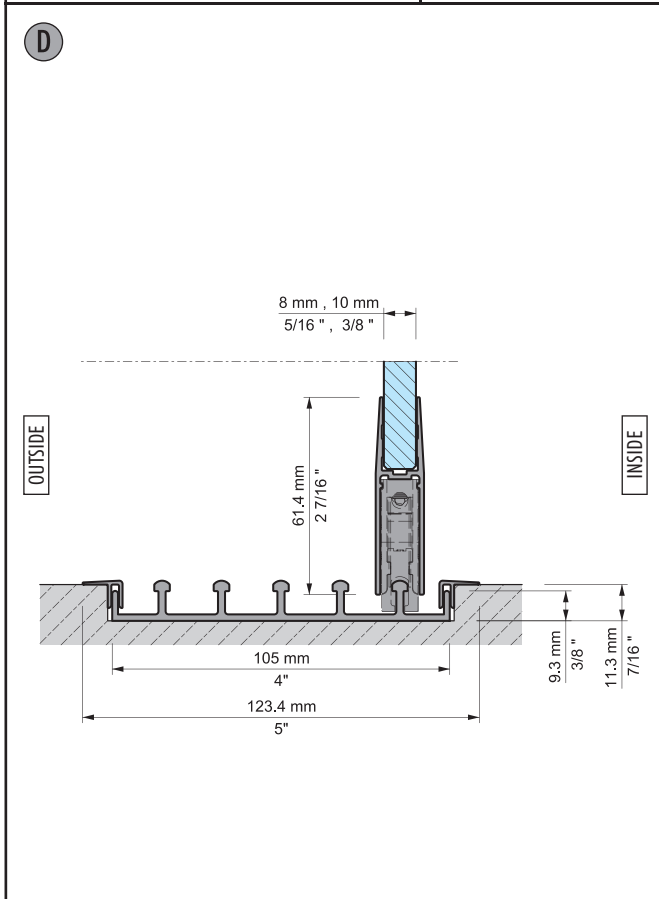
Description: Vertical-Section, bottom track / 4-track recessed
 System: SF20
 Detail-No.: SF20-019

Description: Vertical-Section, bottom track / 4-track
 System: SF20
 Detail-No.: SF20-020



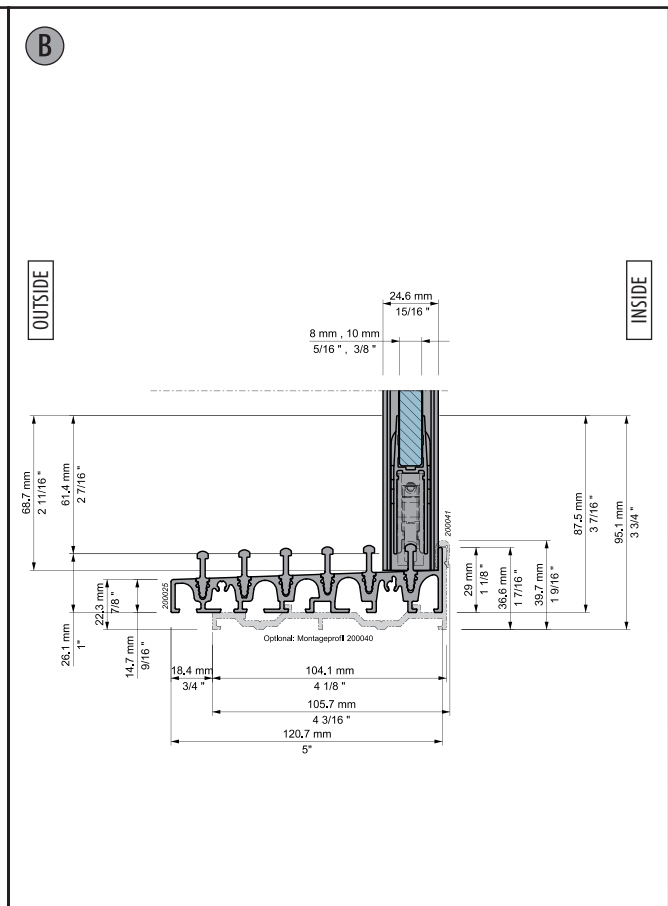
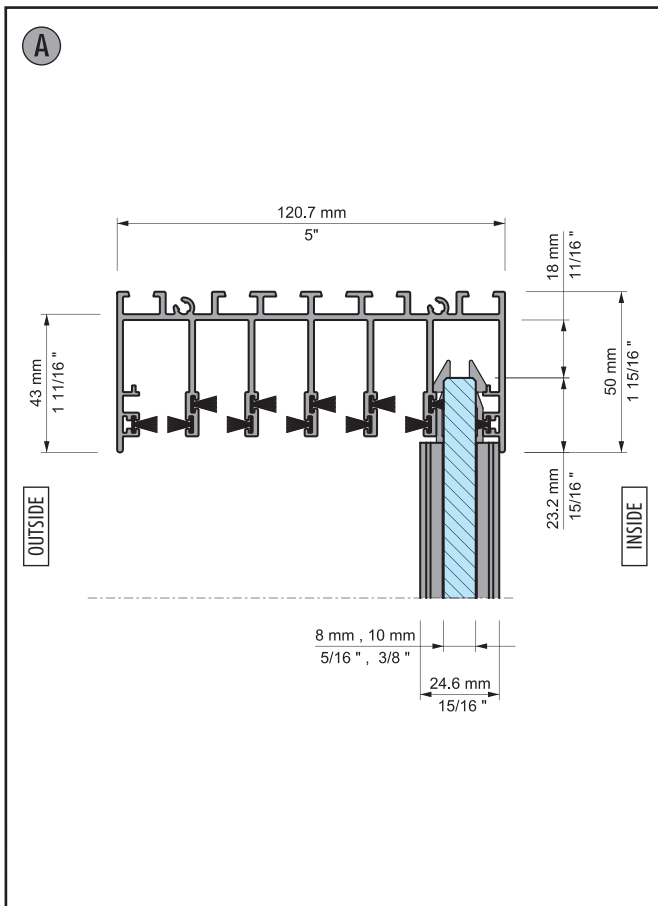
Description: Vertical-Section top track / 5-track	System: SF20
	Detail-No.: SF20-009

Description: Vertical-Section, bottom track / 5-track mounting profile 200040 (option)	System: SF20
	Detail-No.: SF20-010



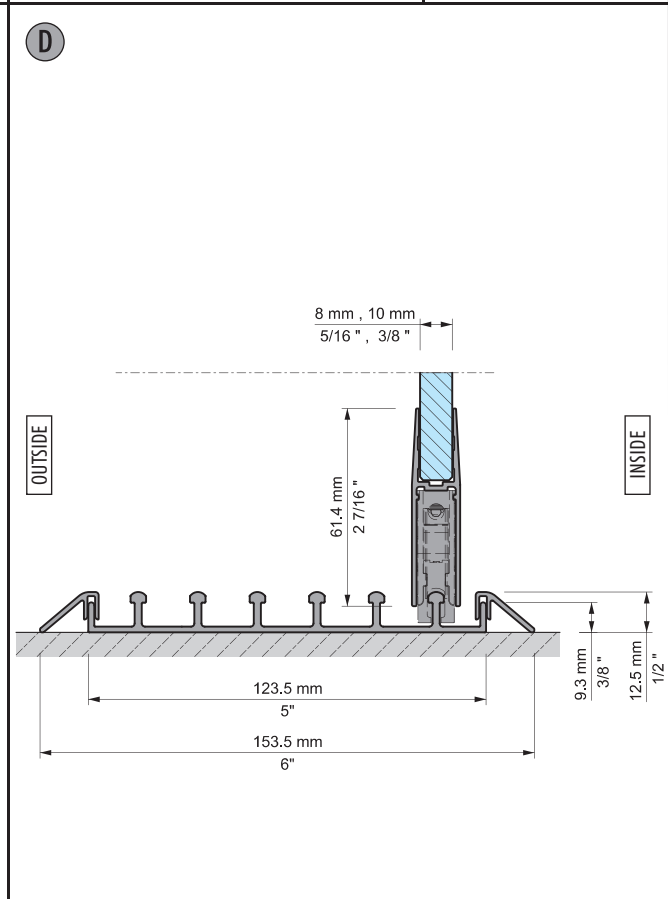
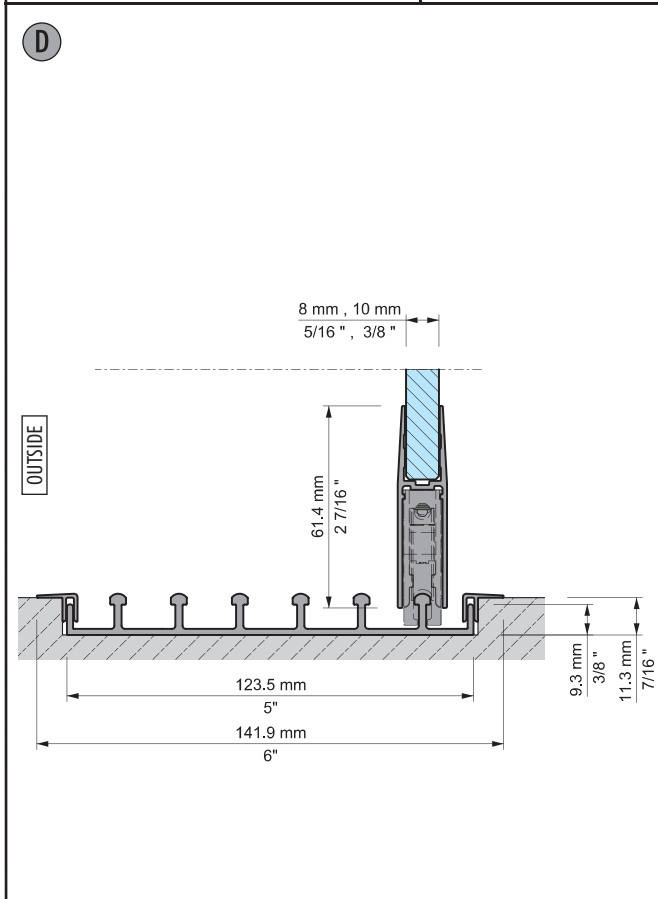
Description: Vertical-Section, bottom track / 5-track recessed	System: SF20
	Detail-No.: SF20-021

Description: Vertical-Section, bottom track / 5-track	System: SF20
	Detail-No.: SF20-022



Description: Vertical-Section, top track / 6-track
 System: SF20
 Detail-No.: SF20-011

Description: Vertical-Section, bottom track / 6-track mounting profile 200040 (option)
 System: SF20
 Detail-No.: SF20-012



Description: Vertical-Section, bottom track / 6-track recessed
 System: SF20
 Detail-No.: SF20-023

Description: Vertical-Section, bottom track / 6-track
 System: SF20
 Detail-No.: SF20-024

<p>A</p>	<p>D</p>
<p>Description: Vertical-Section, bottom track with skylight and reinforcement</p> <p>System: SF20</p> <p>Detail-No.: SF20-030</p>	<p>Description: Vertical-Section, top track with balustrade connection and reinforcement</p> <p>System: SF20</p> <p>Detail-No.: SF20-031</p>
<p>C</p> <p>OUTSIDE</p> <p>INSIDE</p>	<p>C</p> <p>OUTSIDE</p> <p>INSIDE</p>
<p>Description: Horizontal-Section, side wall fitting standard design / 2-track</p> <p>System: SF20</p> <p>Detail-No.: SF20-102</p>	<p>Description: Horizontal-Section, side wall fitting with brush gasket / 2-track</p> <p>System: SF20</p> <p>Detail-No.: SF20-123</p>

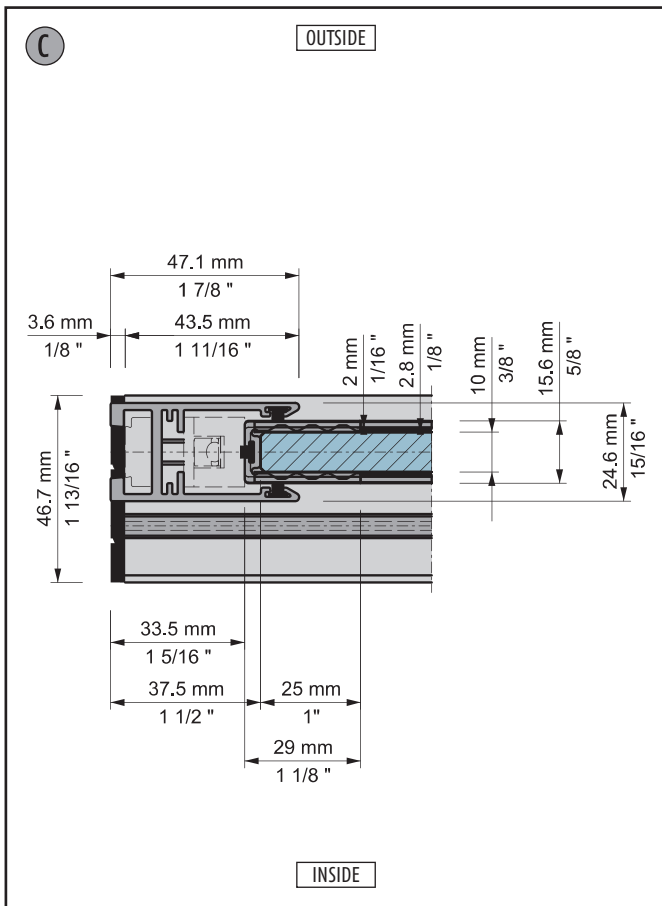
Technical modifications and errors reserved.

<p>C OUTSIDE</p> <p>INSIDE</p>	<p>B OUTSIDE</p> <p>INSIDE</p>		
<p>Description: Horizontal-Section, side wall fitting with connection profile / 2-track</p>	<p>System: SF20 Detail-No.: SF20-103</p>	<p>Description: Horizontal-Section, panel-panel / center 2-track</p>	<p>System: SF20 Detail-No.: SF20-114</p>
<p>B OUTSIDE</p> <p>INSIDE</p>	<p>B OUTSIDE</p> <p>INSIDE</p>		
<p>Description: Horizontal-Section, panel-panel / 2-track</p>	<p>System: SF20 Detail-No.: SF20-113</p>	<p>Description: Horizontal-Section, panel-panel / 2-track with brush gasket</p>	<p>System: SF20 Detail-No.: SF20-124</p>

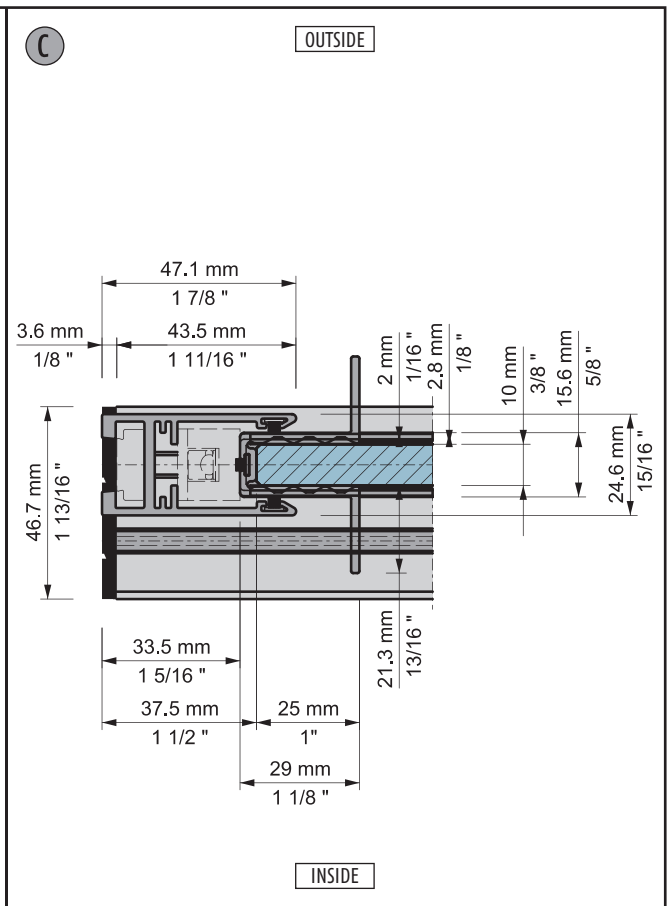
Technical modifications and errors reserved.

<p>OUTSIDE</p> <p>INSIDE</p>	<p>OUTSIDE</p> <p>INSIDE</p>
<p>Description: Horizontal-Section, corner-panel / outside</p> <p>System: SF22</p> <p>Detail-No.: SF20-150</p>	<p>Description: Horizontal-Section, corner-panel / inside</p> <p>System: SF22</p> <p>Detail-No.: SF20-151</p>
<p>OUTSIDE</p> <p>INSIDE</p>	<p>OUTSIDE</p> <p>INSIDE</p>
<p>Description: Horizontal-Section, side wall fitting standard design framed / 2-track</p> <p>System: SF22</p> <p>Detail-No.: SF22-102g</p>	<p>Description: Horizontal-Section, side wall with handle strip / 2-track</p> <p>System: SF22</p> <p>Detail-No.: SF22-102gl</p>

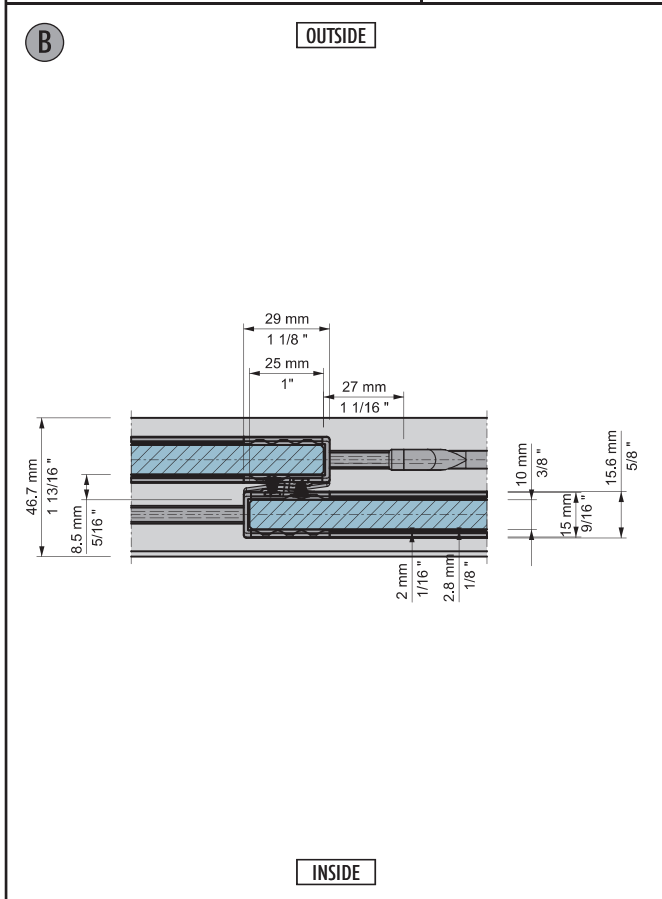
Technical modifications and errors reserved.



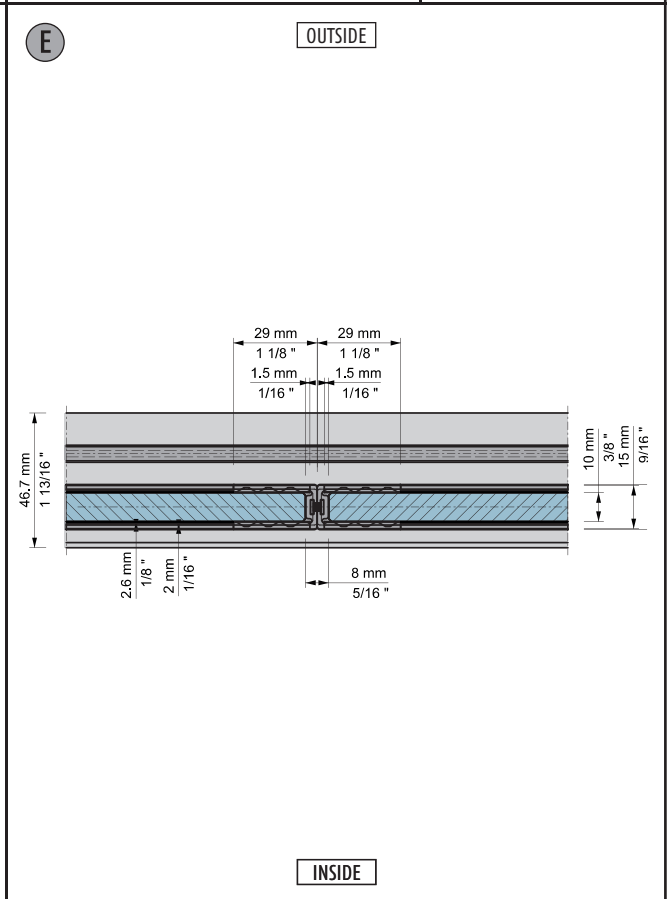
Description: Horizontal-Section, side wall fitting with connection profil framed / 2-track	System: SF22
	Detail-No.: SF22-103g



Description: Horizontal-Section, side wall with handle strip / 2-track	System: SF22
	Detail-No.: SF22-103gl

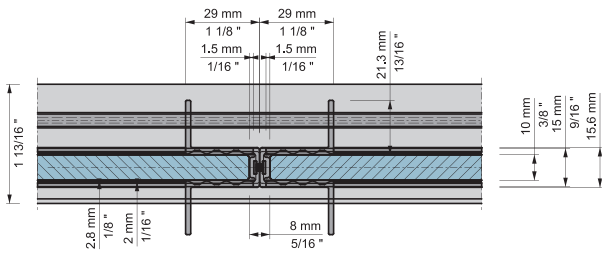
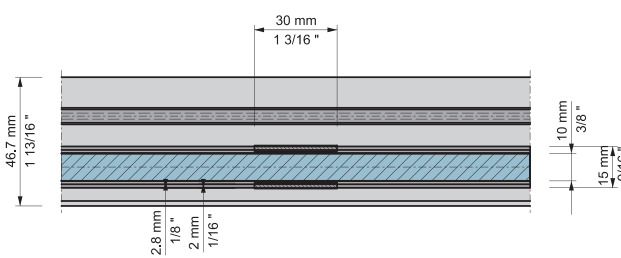


Description: Horizontal-Section, panel-panel framed / 2-track	System: SF22
	Detail-No.: SF22-113g



Description: Horizontal-Section, panel-panel framed / center 2-track	System: SF22
	Detail-No.: SF22-114g

Technical modifications and errors reserved.

<p>E OUTSIDE</p>  <p>INSIDE</p>	<p>E OUTSIDE</p>  <p>INSIDE</p>		
<p>Description: Horizontal-Section, panel-panel framed with handle strip / 2-track</p>	<p>System: SF22 Detail-No.: SF22-114gl</p>	<p>Description: Horizontal-Section, with vertical frame / center 2-track</p>	<p>System: SF22 Detail-No.: SF22-133g</p>

